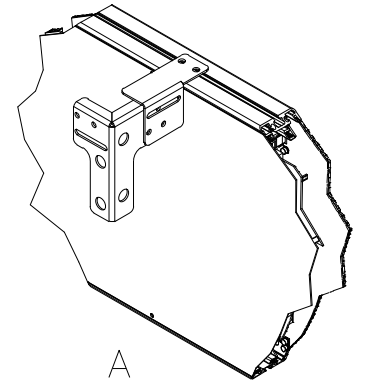
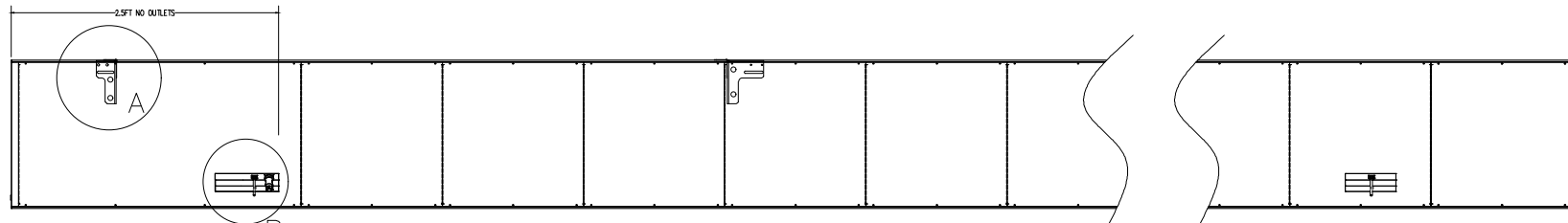
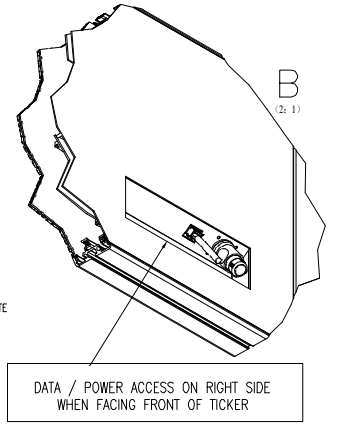
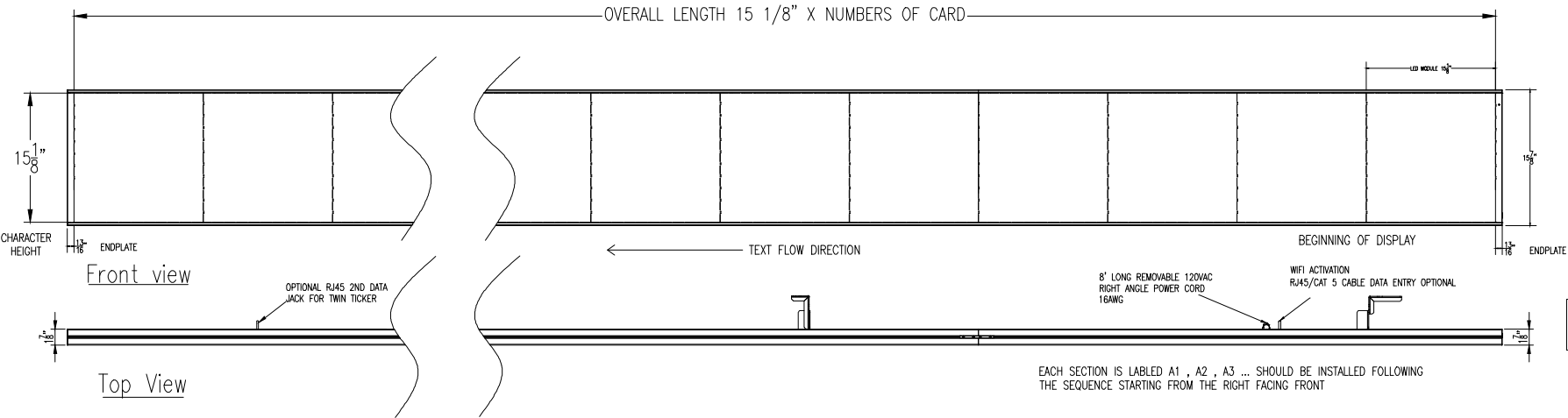


64H PIXEL 6MM RIGID CABINET LED DISPLAY



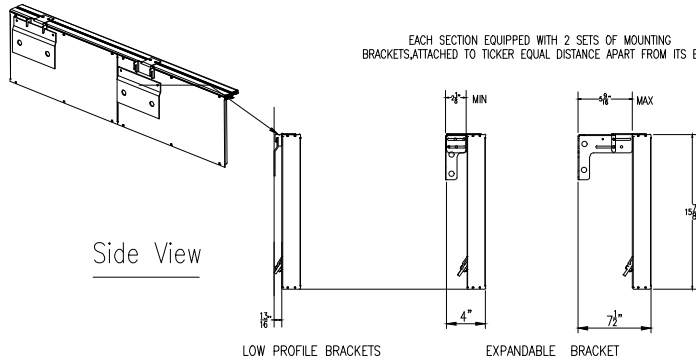
Rear View

POWER OUTLET LOCATION
 OUTLETS CAN BE LOCATED BEHIND SIGN.
 SIGNS LONGER THAN 49FT REQUIRE AN ADDITIONAL DEDICATED OUTLETS EVERY 49FT OF SIGN.

EACH SECTION EQUIPPED WITH 2 SETS OF MOUNTING BRACKETS, ATTACHED TO TICKER EQUAL DISTANCE APART FROM ITS ENDS

SPECIFICATIONS:

- PIXEL PITCH : .23" (6MM)
- COLOR: RGB (FULL COLOR)
- CHARACTER HEIGHT: 15.1 INCH (64H)
- ELECTRICAL REQUIREMENTS: 120VAC-220VAC/SINGLE PHASE MANUALLY SWITCHED
 @ 120 VAC INDOOR - 26.5 WATTS/FT
 POWER INPUT: POWER CORD
- DATA: XPICO WIFI OR ETHERNET
- CHASSIS METAL & FINISH: ALUMINIUM WITH EXTRUDED BLACK POWDER COAT
- SIGN MOUNTING: WALL MOUNT & CHAIN MOUNT
- WEIGHT : 5.6 LBS/FT



Side View

A (2:1)

COMPANY	_____ TITLE _____	
SIGNED	_____ DATE _____	
PROJECT	RISETICKER SHOP DRAWING	
TITLE	TWIN LED TICKER DISPLAY (64 PIXEL-6MM)	
DRAWING NO	RISETICKER-646F	
SCALE :	DRAWN BY:	DATE :
1 / 1	JHW	11 / 16 / 22