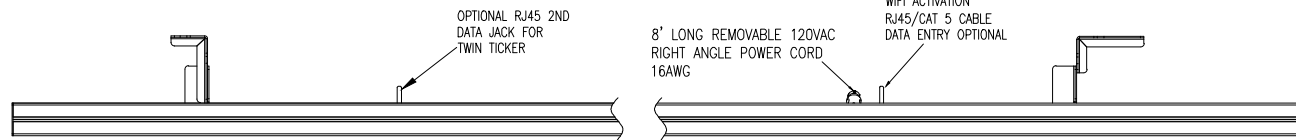
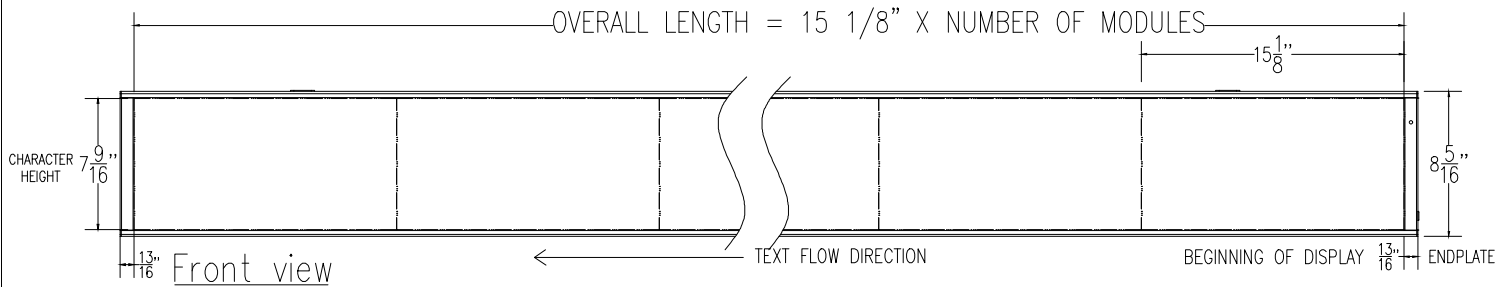
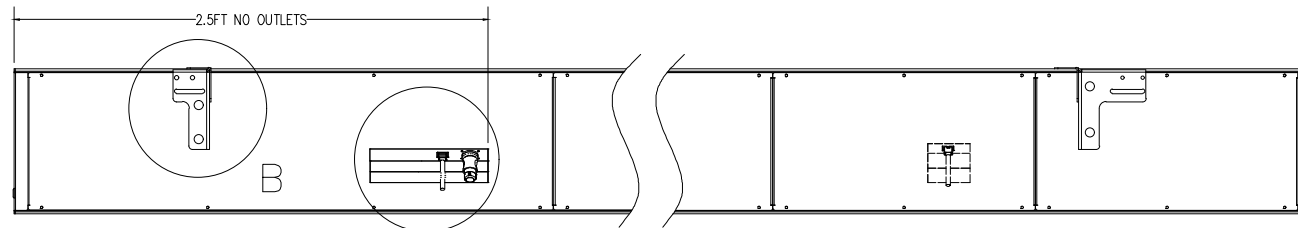


32H PIXEL 7.56-INCH CHARACTER RIGID CABINET LED DISPLAY



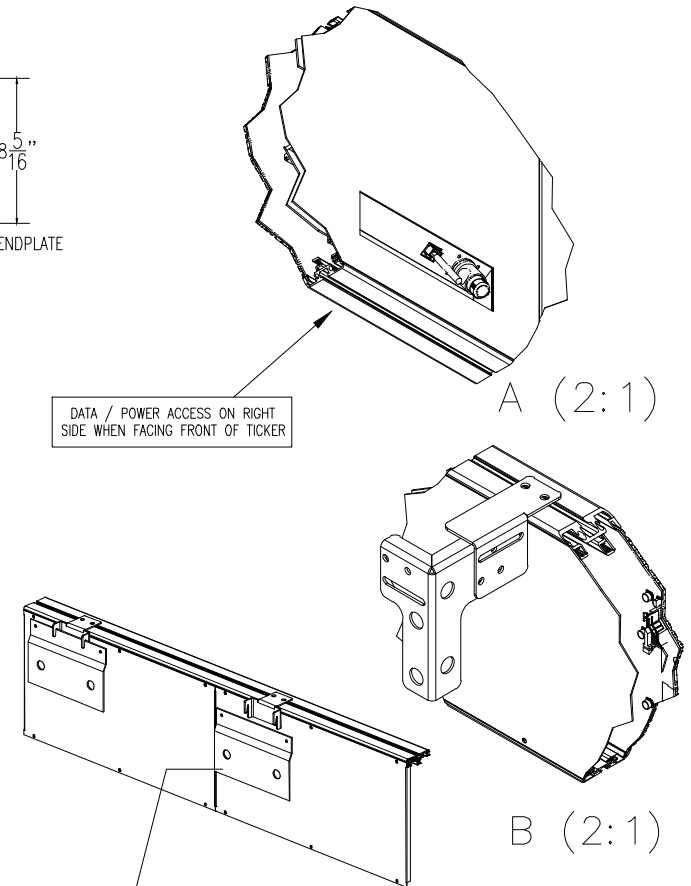
Top View

SECTION CONNECTED INSIDE, EACH SECTION IS LABELED A1, A2, A3 ... SHOULD BE INSTALLED FOLLOWING THE SEQUENCE STARTING FROM THE RIGHT FACING FRONT



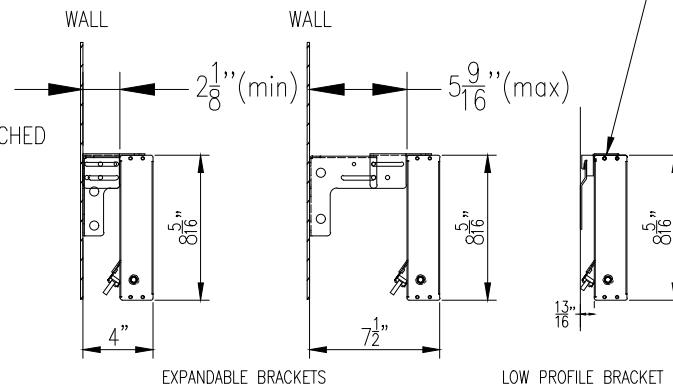
Rear View

POWER OUTLET LOCATION
OUTLETS CAN BE LOCATED BEHIND SIGN.
SIGNS LONGER THAN 64FT REQUIRE AN ADDITIONAL DEDICATED OUTLETS EVERY 64FT OF SIGN.



SPECIFICATIONS:

- PIXEL PITCH : .23" (6MM)
- COLOR: RGB (FULL COLOR)
- CHARACTER HEIGHT: 7.56 INCH (32H)
- ELECTRICAL REQUIREMENTS: 120VAC-220VAC/SINGLE PHASE MANUALLY SWITCHED
@ 120 VAC INDOOR - 22.3 WATTS/FT
POWER INPUT: POWER CORD
- DATA: XPICO WIFI OR ETHERNET
- CHASSIS METAL & FINISH: ALUMINIUM WITH EXTRUDED BLACK POWDER COAT
- SIGN MOUNTING: WALL MOUNT & CHAIN MOUNT
- WEIGHT : 2.9 LBS/FT



Side View

COMPANY _____	TITLE _____	
SIGNED _____	DATE _____	
PROJECT RISSETICKER SHOP DRAWING		
TITLE LED TICKER DISPLAY (32 PIXEL-6MM)		
DRAWING NO RISSETICKER-TWIN-16166F		
SCALE : 1 / 1	DRAWN BY: JHW	DATE : 11/15/22