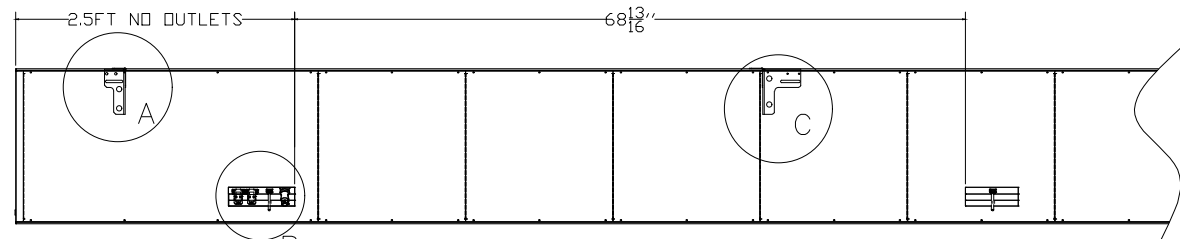
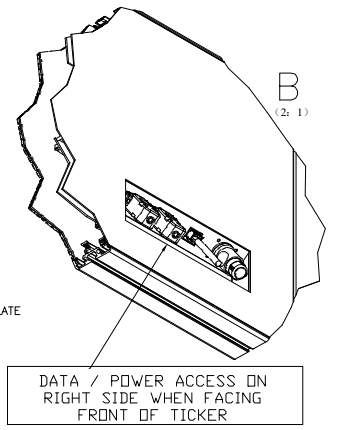
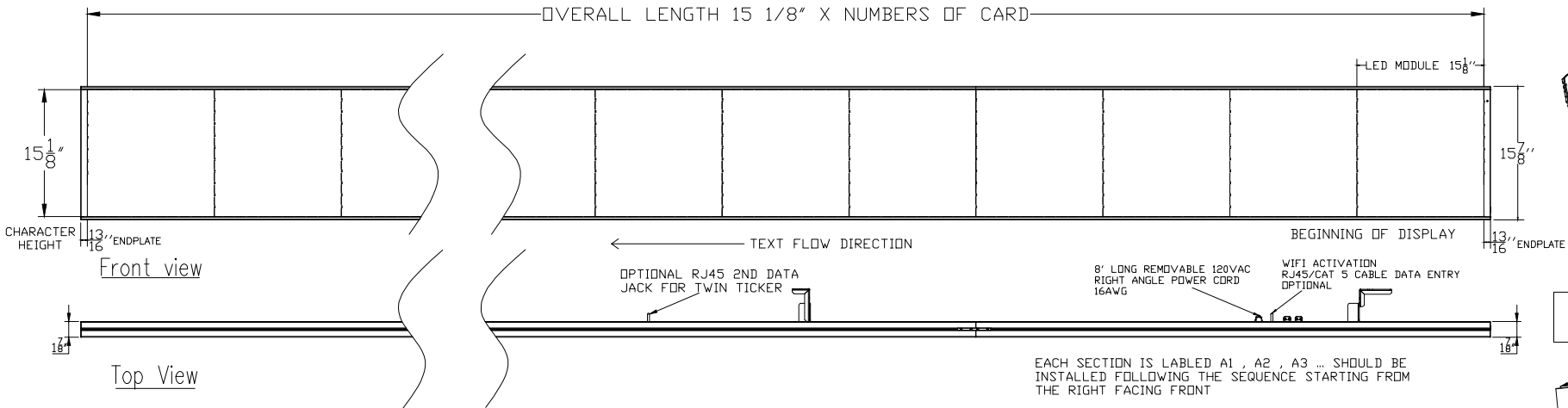
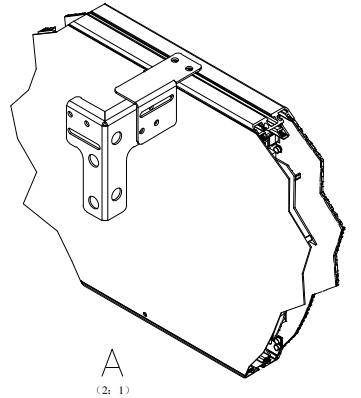


# 64H PIXEL 6MM RIGID CABINET LED DISPLAY



EACH SECTION IS LABELED A1 , A2 , A3 ... SHOULD BE INSTALLED FOLLOWING THE SEQUENCE STARTING FROM THE RIGHT FACING FRONT

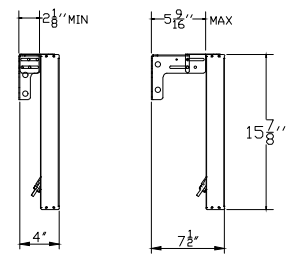
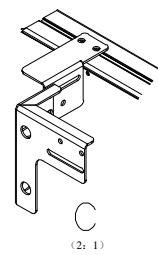


POWER OUTLET LOCATION  
OUTLETS CAN BE LOCATED BEHIND SIGN.  
SIGNS LONGER THAN 49FT REQUIRE AN ADDITIONAL DEDICATED OUTLETS EVERY 49FT OF SIGN.

EACH SECTION EQUIPPED WITH 2 SETS OF MOUNTING BRACKETS, ATTACHED TO TICKER EQUAL DISTANCE APART FROM ITS ENDS

**SPECIFICATIONS:**

- PIXEL PITCH : .23" (6MM)
  - COLOR: RGB (FULL COLOR)
  - CHARACTER HEIGHT: 15.1 INCH (64H)
  - ELECTRICAL REQUIREMENTS: 120VAC-220VAC/SINGLE PHASE MANUALLY SWITCHED
  - DATA: XPICO WIFI OR ETHERNET
  - CHASSIS METAL & FINISH: ALUMINIUM WITH EXTRUDED BLACK POWDER COAT
  - SIGN MOUNTING: WALL MOUNT & CHAIN MOUNT
  - WEIGHT : 5.6 LBS/FT
- © 120 VAC INDOOR - 26.5 WATTS/FT  
POWER INPUT: POWER CORD



Side View

COMPANY _____ TITLE _____		
SIGNED _____ DATE _____		
PROJECT RISETICKER SHOP DRAWING		
TITLE TWIN LED TICKER DISPLAY (64 PIXEL-6MM)		
DRAWING NO RISETICKER-646F		
SCALE : 1 / 1	DRAWN BY: JHW	DATE : 4 / 13 / 22