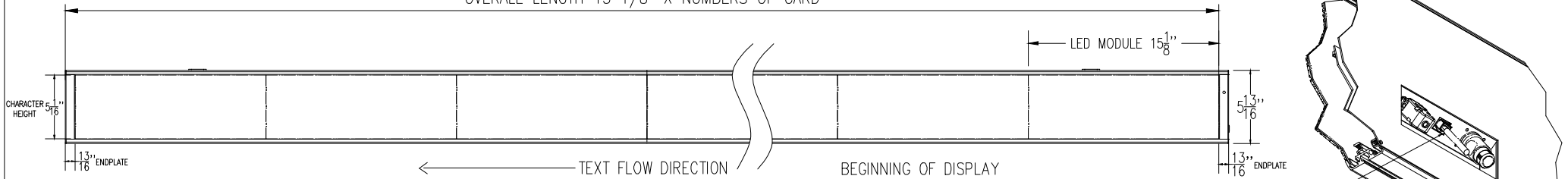


32H PIXEL 4MM RIGID CABINET LED TICKER

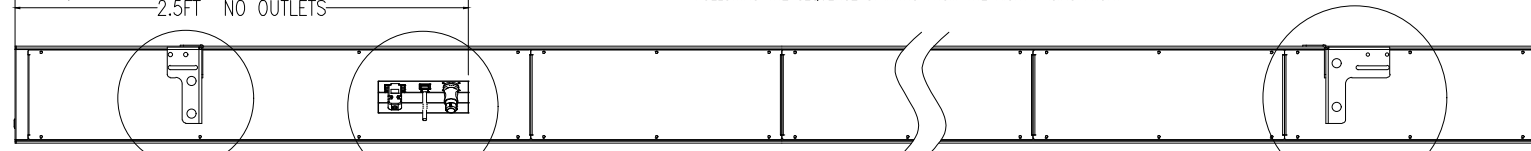
OVERALL LENGTH 15 1/8" X NUMBERS OF CARD



Front View



Top View



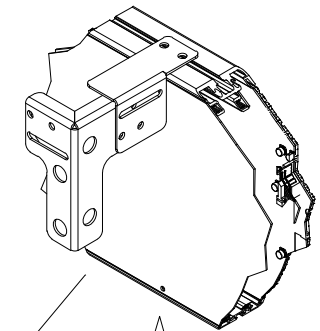
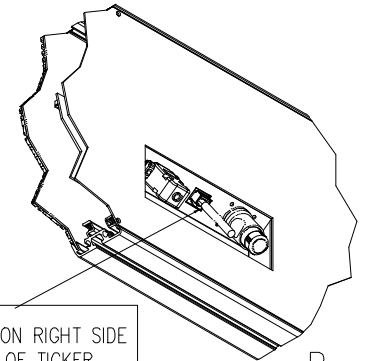
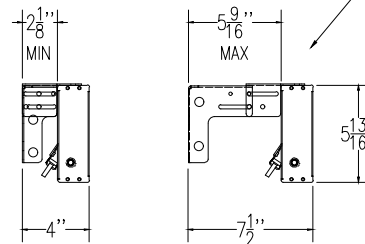
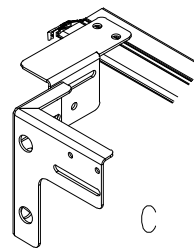
Rear View

POWER OUTLET LOCATION
OUTLETS CAN BE LOCATED BEHIND SIGN.
SIGNS LONGER THAN 150FT REQUIRE AN ADDITIONAL DEDICATED OUTLETS EVERY 150FT OF SIGN.

EACH SECTION EQUIPPED WITH 2 SETS OF MOUNTING BRACKETS, ATTACHED TO TICKER EQUAL DISTANCE APART FROM ITS ENDS

SPECIFICATIONS:

- PIXEL PITCH : .16" (4mm)
- COLOR: RGB (FULL COLOR)
- CHARACTER HEIGHT: 5.06 INCH (32H)
- ELECTRICAL REQUIREMENTS: 120VAC-220VAC/SINGLE PHASE MANUALLY SWITCHED @ 120 VAC INDOOR - 8.7 WATTS/FT
POWER INPUT: POWER CORD
- DATA: XPICO WIFI OR ETHERNET
- CHASSIS METAL & FINISH: ALUMINIUM WITH EXTRUDED BLACK POWDER COAT
- SIGN MOUNTING: WALL MOUNT & CHAIN MOUNT
- WEIGHT : 2 LBS/FT



COMPANY _____ TITLE _____

SIGNED _____ DATE _____

PROJECT
RISETICKER SHOP DRAWING

TITLE
LED TICKER DISPLAY (32 PIXEL-4MM)

DRAWING NO
RISETICKER-324F

SCALE : 1 / 1	DRAWN BY: JHW	DATE : 4 / 13/ 22
------------------	------------------	----------------------