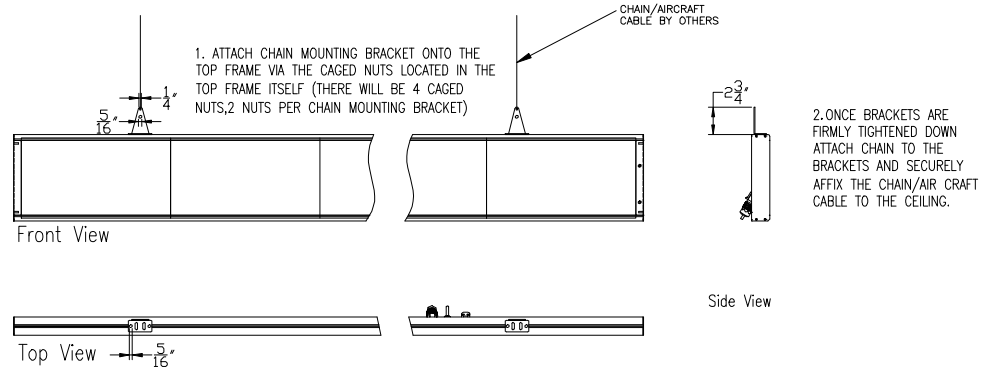


# LED DISPLAY TICKER CEILING MOUNT

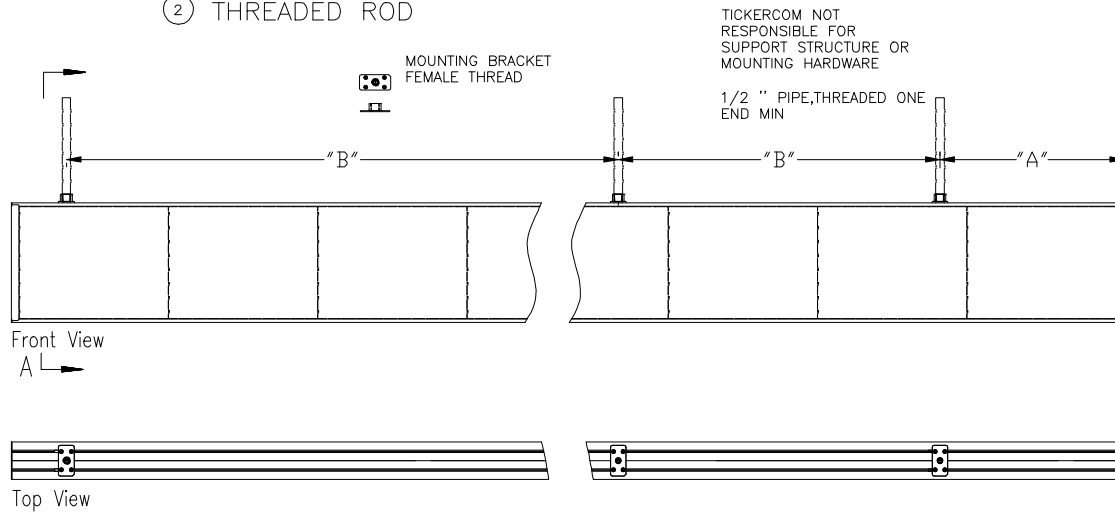
## ① CHAIN/AIRCRAFT CABLE (APPLIED TO RIGID 16H/32H /48H)



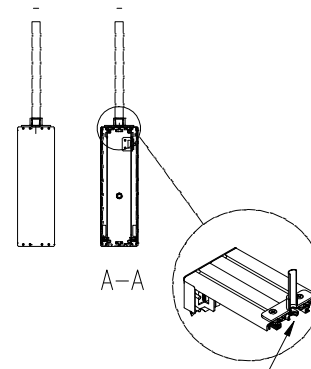
DIMENSIONS IN TABLE ARE BASED IN THE DISPLAYS IN 32H BACK AND BACK STRAIGHT CONFIGURATIONS. ARC LENGTH BETWEEN SUPPORTS MAY VARY ON FLEX DISPLAYS DEPENDING ON THE CURVE. CUSTOM ARRANGEMENT AVAILABLE UPON REQUEST.(64H 15 INCH HIGH OPTIONAL)

SIGN LENGTH	"A"	"B"	NO. OF SUPPORT
8 FT LONG DISPLAY	2 FEET	4 FEET	2
9 FT LONG DISPLAY	3 FEET	3 FEET	2
10 FT LONG DISPLAY	3 FEET	4 FEET	2
11 FT LONG DISPLAY	3.5 FEET	4 FEET	2
12 FT LONG DISPLAY	2 FEET	4 FEET	3
13 FT LONG DISPLAY	2.5 FEET	4 FEET	3
14 FT LONG DISPLAY	3 FEET	4 FEET	3
15 FT LONG DISPLAY	3.5 FEET	4 FEET	3
16 FT LONG DISPLAY	2 FEET	4 FEET	4
17 FT LONG DISPLAY	2.5 FEET	4 FEET	4
18 FT LONG DISPLAY	3 FEET	4 FEET	4
19 FT LONG DISPLAY	3.5 FEET	4 FEET	4
20 FT LONG DISPLAY	2.5 FEET	4 FEET	5
21 FT LONG DISPLAY	3 FEET	4 FEET	5
22 FT LONG DISPLAY	3.5 FEET	4 FEET	5
23 FT LONG DISPLAY	2 FEET	4 FEET	5
24 FT LONG DISPLAY	2.5 FEET	4 FEET	6
25 FT LONG DISPLAY	3 FEET	4 FEET	6
26 FT LONG DISPLAY	3.5 FEET	4 FEET	6
27 FT LONG DISPLAY	2 FEET	4 FEET	6

## ② THREADED ROD



PATTERN REPEATS



CONDUITS CAN BE USED TO SUPPLY POWER AND DATA TO SIGN. SIGN CONTROLLER IS ALWAYS AT RIGHT END OF SIGN

**RiseTICKER**

COMPANY \_\_\_\_\_ TITLE \_\_\_\_\_  
SIGNED \_\_\_\_\_ DATE \_\_\_\_\_

PROJECT  
RISETICKER INSTRUCTION DRAWING

TITLE  
CEILING MOUNT METHODS

DRAWING NO  
RISE-CMM-R

SCALE : 1 / 8      DRAWN BY: JHW      DATE : 5/26/21