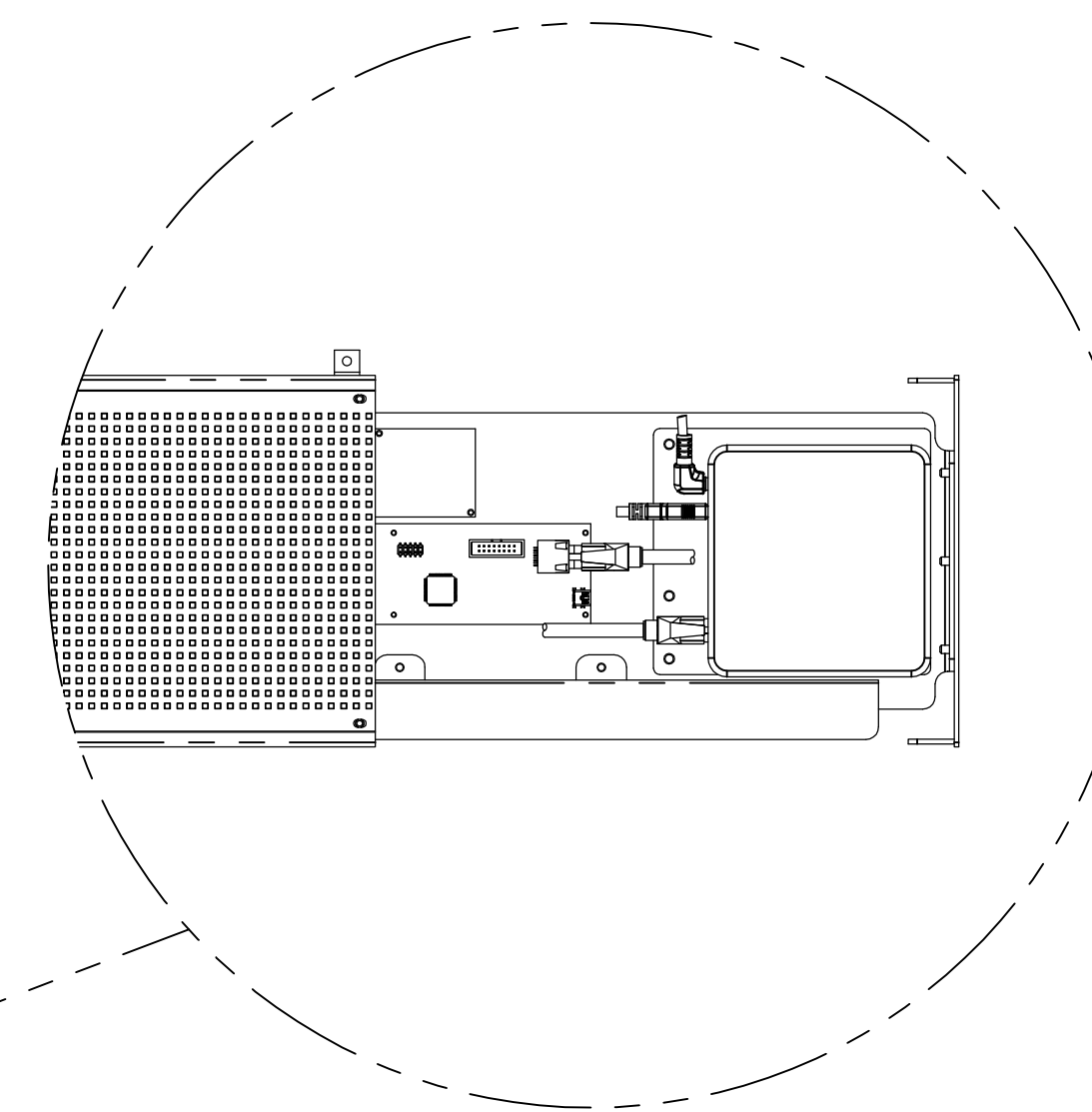


# 24H PIXEL 6-INCH CHARACTER RIGID CABINET LED DISPLAY

REVISIONS					
REV	ECO	DESCRIPTION	DRAFT	DATE	APPROVED
A		INITIAL RELEASE	SJB	1/8/16	
B		REV'D TABLE	SJB	9/26/17	
C		REV'D TABLE	SJB	9/27/17	

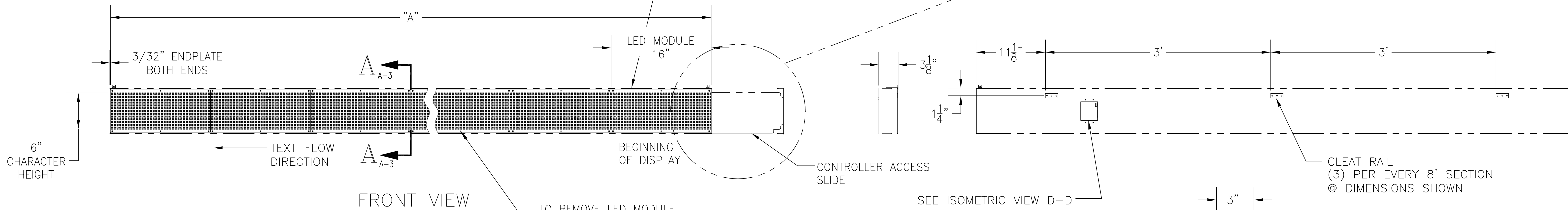
REMOVABLE 6'-0" RJ45/CAT 5 CABLE  
 DATA ENTRY  
 8-0" LONG REMOVABLE 120VAC RIGHT ANGLE POWER CORD IEC-320, C13 X NEMA-5-15P



MOUNTING SURFACE

TOP VIEW

**POWER OUTLET SHOULD BE AT RIGHT END/BEGINNING OF TICKER WHEN LOOKING FROM THE FRONT**



FRONT VIEW

TO REMOVE LED MODULE  
 UNSCREW (6) #4-40 FLAT HEAD SCREWS  
 DO NOT LET MODULE HANG BY PATCH CABLES  
 AS THIS CAN CAUSE DAMAGE

SEE ISOMETRIC VIEW D-D

3/4" MIN DISTANCE REQ'D ABOVE SIGN FOR INSTALLSTION OR REMOVAL

CLEAT RAIL (SCREWED TO WALL)

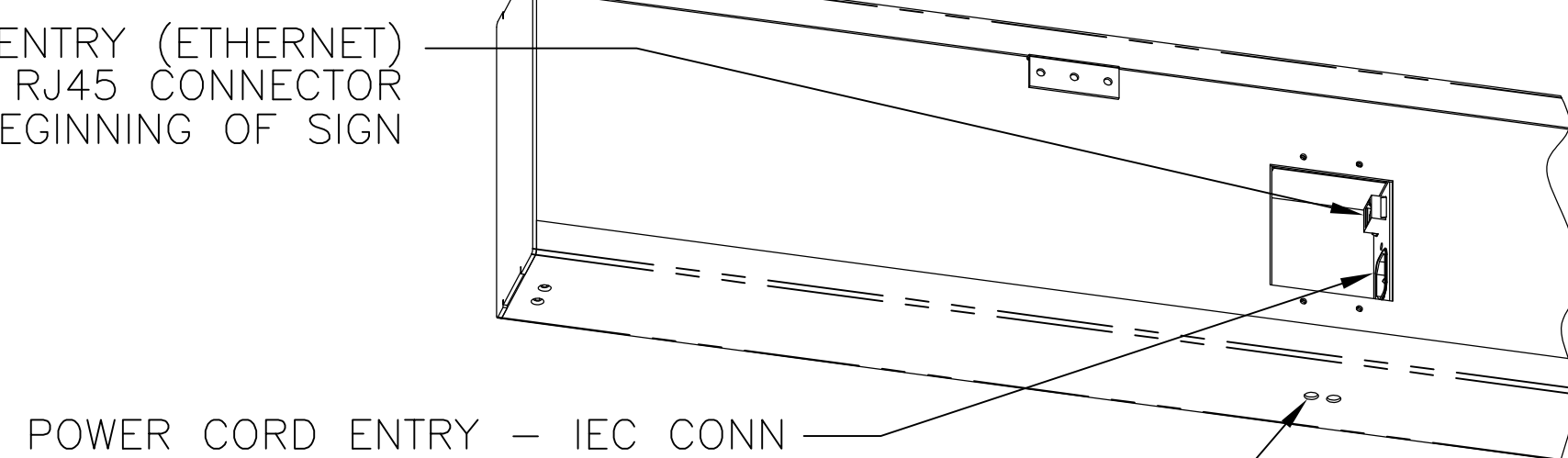
WALL

SECTION A-A ZONE C-6

CROSS SECTION TYP

**SPECIFICATIONS:**

- PIXEL PITCH: .25" (6.35mm)
- COLOR: RGB (FULL COLOR)
- CHARACTER HEIGHT: 6-INCHES (24H)
- ELECTRICAL REQUIREMENTS: 120VAC-220VAC/SINGLE PHASE MANUALLY SWITCHED @ 120VAC INDOOR - 16 WATTS/FT POWER INPUT: POWER CORD
- DATA: ETHERNET
- CHASSIS MAT'L & FINISH: ALUMINUM WITH BLACK POWDER COAT
- SIGN MOUNTING: CLEAT & RAIL METHOD
- WEIGHT: 3 LBS/FT



ISOMETRIC D-D ZONE C-3

TYP  
 ETHERNET NEEDED ONLY @ BEGINNING OF SIGN

TICKER LENGTH	
MODEL#	DIM "A"
TKRM2408R	8'-0"
TKRM2416R	16'-0"
TKRM2424R	24'-0"
TKRM2432R	32'-0"
TKRM2440R	40'-0"
TKRM2448R	48'-0"
TKRM2456R	56'-0"
TKRM2464R	64'-0"
TKRM2472R*	72'-0"
TKRM2480R*	80'-0"
TKRM2488R*	88'-0"
TKRM2496R*	96'-0"

\*TICKER REQUIRES (2) POWER DROPS. THE FIRST AT THE RIGHT END OF THE TICKER AND THE SECOND 64' FROM THE FIRST.



SUBMITTAL APPROVAL

- APPROVED FOR CONSTRUCTION
- APPROVED FOR CONSTRUCTION AS NOTED
- APPROVED FOR CONSTRUCTION AS NOTED & RESUBMIT

COMPANY: \_\_\_\_\_ DATE: \_\_\_\_\_  
 SIGNED: \_\_\_\_\_ TITLE: \_\_\_\_\_

PROJECT  
 RISE SHOP DRAWING

TITLE  
 24H 8-COLOR LED DISPLAY

SIZE	DRAWING NO.	REV
D	TKR-M24-6-XX-R	C

SCALE	DRAWN	DATE
1/8	SJB	1/9/16

SHEET	DRAWN	DATE
1 OF 1	-	/ /