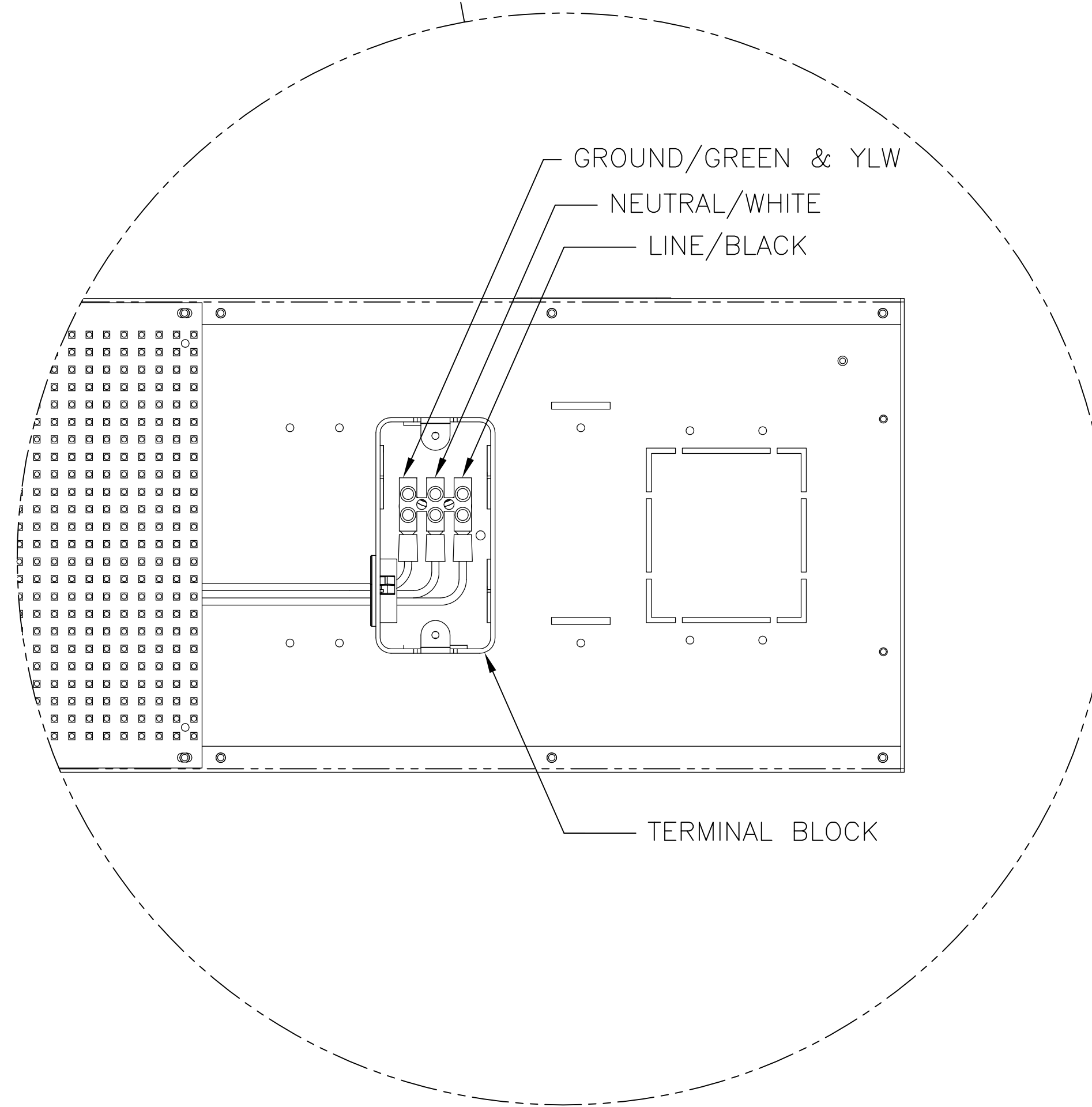
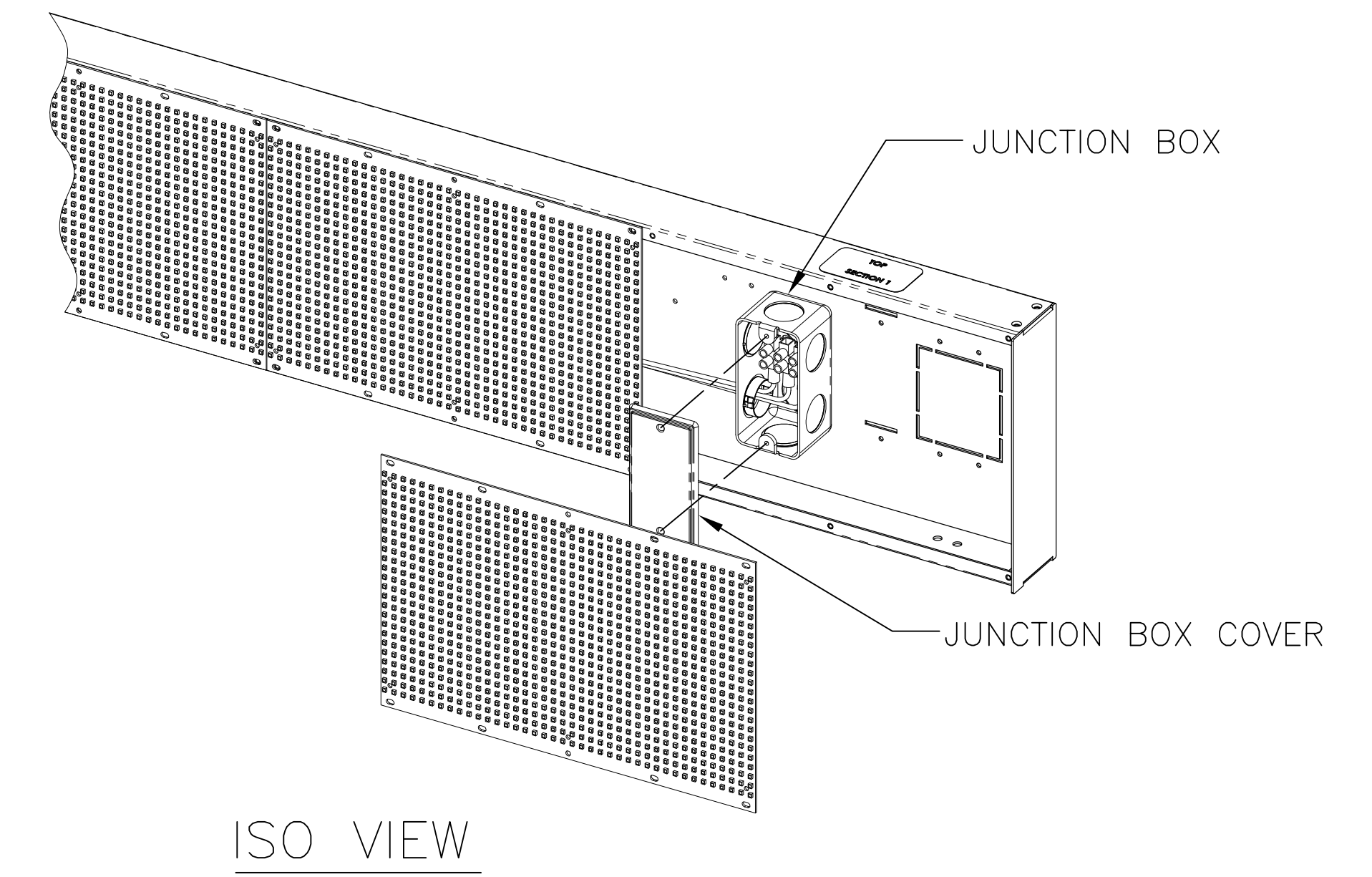
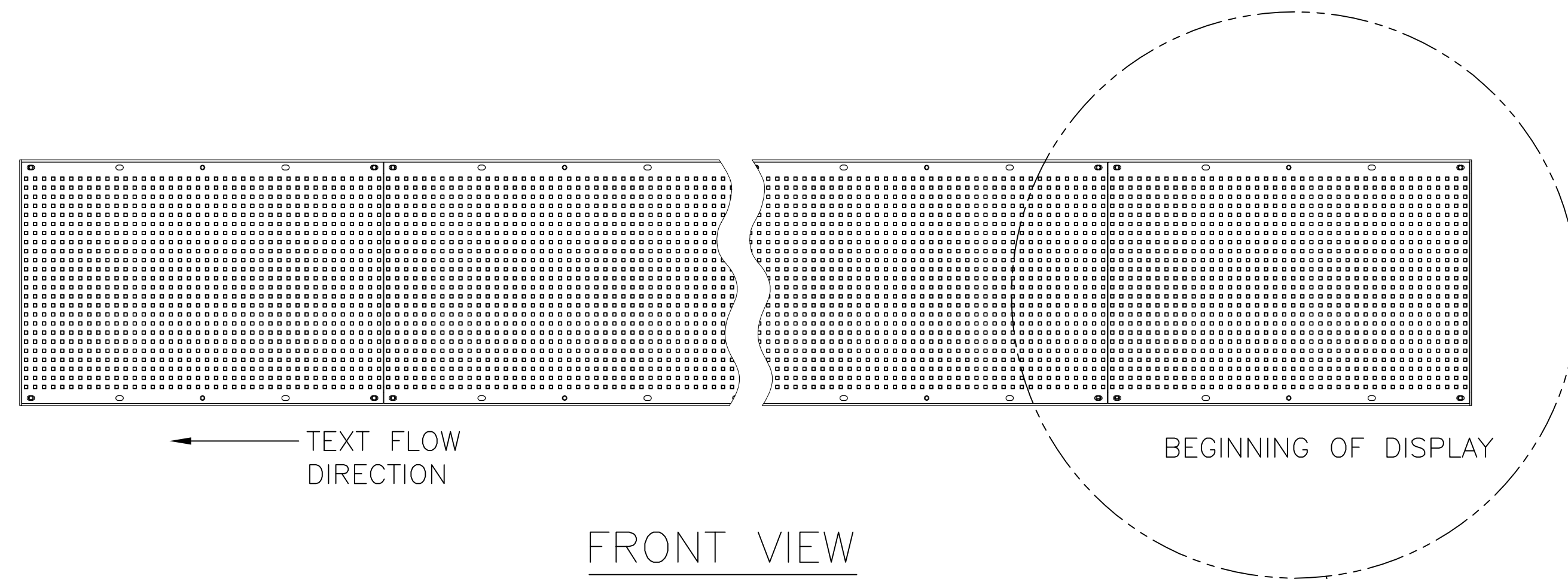


# TKR-M10-XX-XX LED DISPLAY HARDWIRED POWER ENTRY

REVISIONS					
REV	ECO	DESCRIPTION	DRAFT	DATE	APPROVED
A		INITIAL RELEASE	SJB	3/31/15	



**NOTE:**

- IT IS THE INSTALLERS RESPONSIBILITY TO PUNCH A HOLE IN THE SIGN CABINET AND WIRE TO THE TERMINAL BLOCK IN THE JUNCTION BOX.
- INSTALLER MUST USE A CLAMP FITTING OR GROMMET IN PUNCHED HOLE SO AS TO NOT DAMAGE WIRING.

**SPECIFICATIONS:**

SIGNS ARE EXTENDABLE IN LENGTH. MULTIPLE POWER DROPS MAY BE REQUIRED. DISTANCES ARE BASED ON A 120VAC/20 AMP CIRCUIT

MODEL	DISTANCE BETWEEN POWER DROPS
TKR-M10-16-48	113 FEET
TKR-M10-24-72	74 FEET
TKR-M10-32-96	56 FEET

**RISE DISPLAY**

SUBMITTAL APPROVAL

APPROVED FOR CONSTRUCTION

APPROVED FOR CONSTRUCTION AS NOTED

APPROVED FOR CONSTRUCTION AS NOTED & RESUBMIT

COMPANY: \_\_\_\_\_ DATE: \_\_\_\_\_

SIGNED: \_\_\_\_\_ TITLE: \_\_\_\_\_

PROJECT: RISE SHOP DRAWING

TITLE: HARDWIRE FOR TKR-M10

SIZE	DRAWING NO.	REV
D	TKR-M10-XX-XX-HW	A

SCALE	1/8	DRAWN	SJB	DATE	3/31/15
SHEET	1 OF 1	DRAWN	-	DATE	/ /