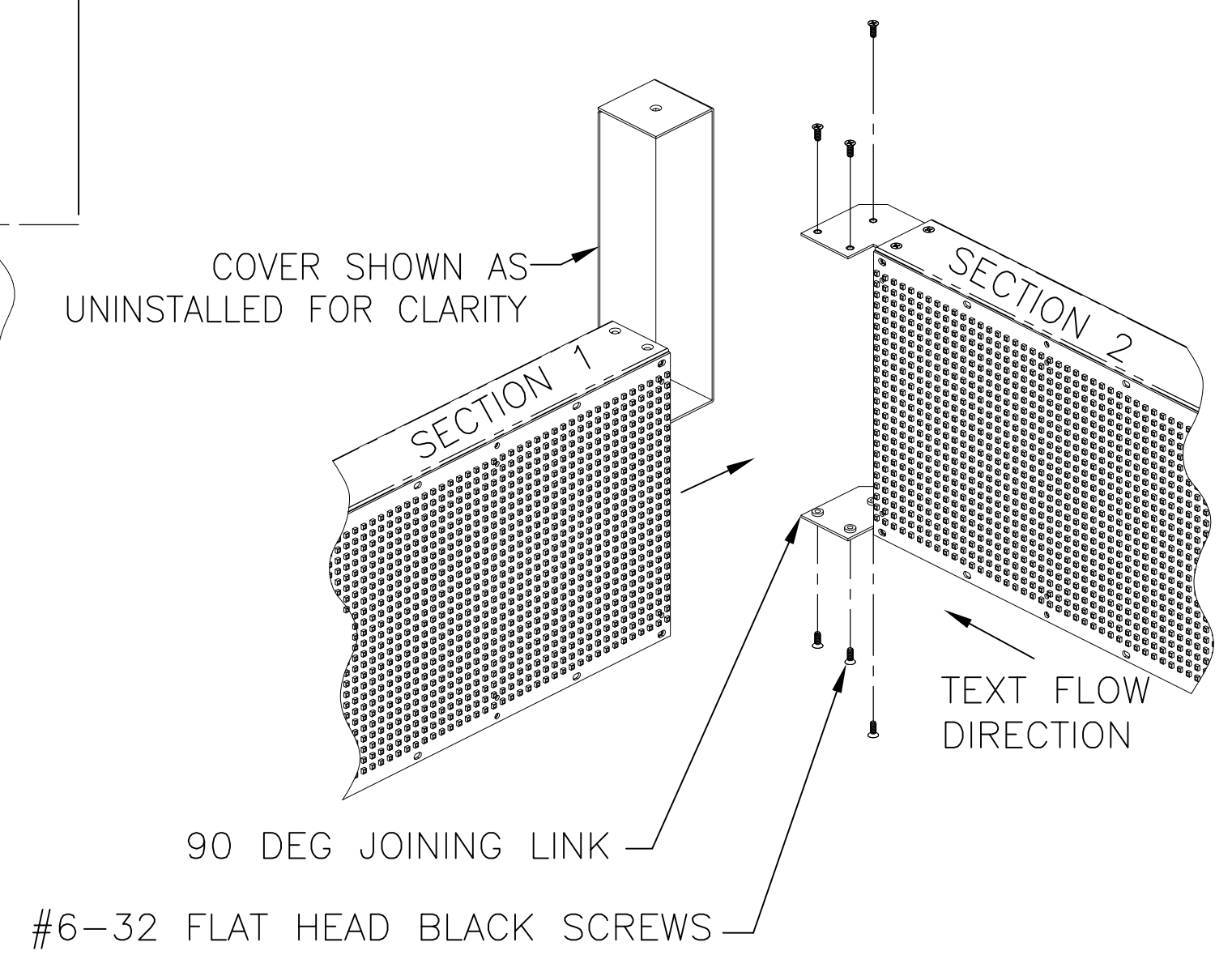
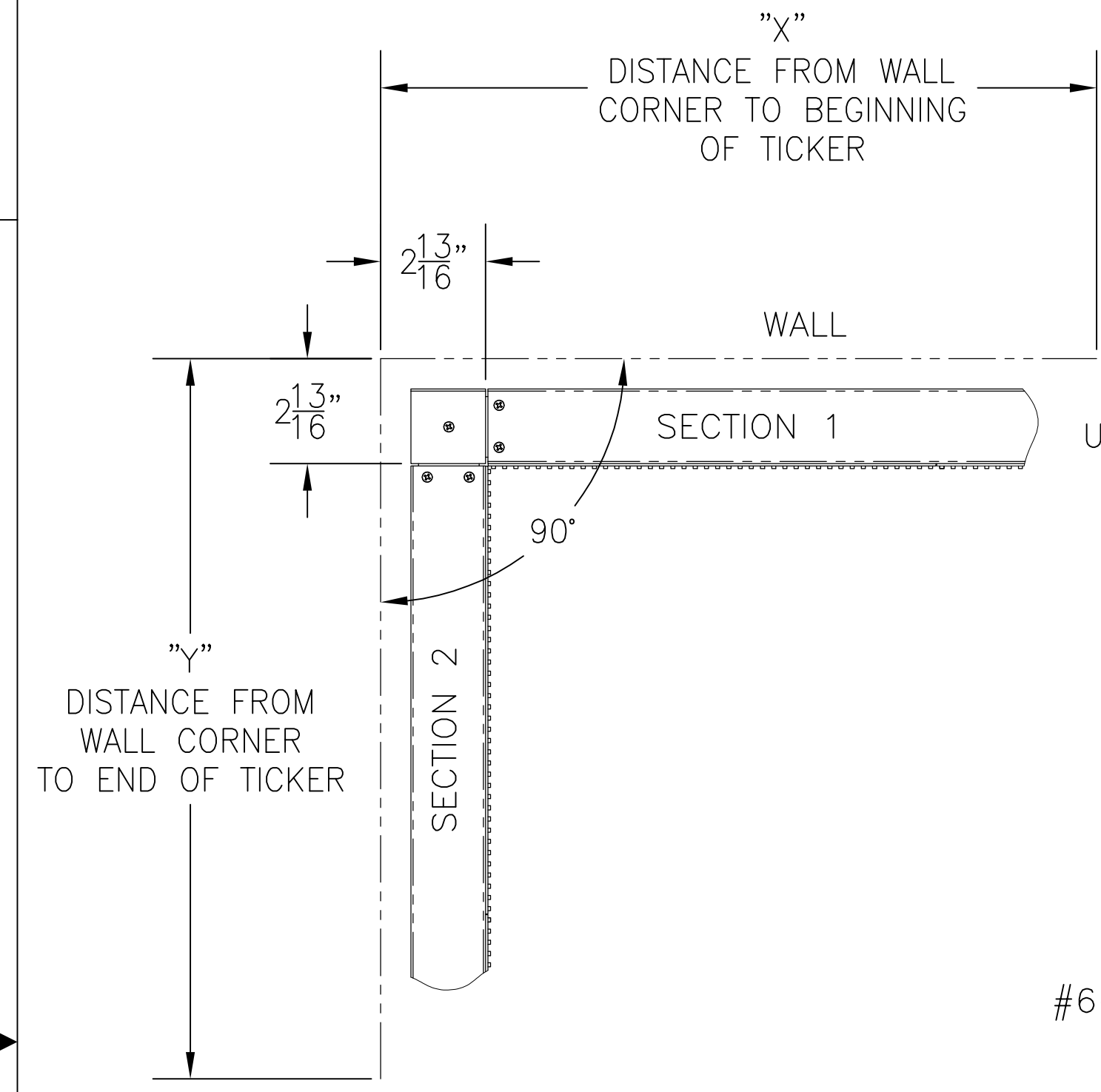


# TKR-M10-XX-XX LED DISPLAY 90 DEGREE CORNERS

REVISIONS					
REV	ECO	DESCRIPTION	DRAFT	DATE	APPROVED
A		INITIAL RELEASE	SJB	3/31/15	

- INSTALLATION:**
1. INSTALL CLEAT ON WALL
  2. HANG CORNER SECTIONS ON CLEAT IN APPROX FINAL LOCATION.
  3. SLIDE SECTION 1 OVER JOINING LINKS IN SECTION 2.
  4. SCREW #6 SCREWS THROUGH C'SUNK HOLES IN SECTION 1 INTO THREADED HOLES IN JOINING LINK.

- INSTALLATION:**
1. INSTALL CLEAT ON WALL
  2. HANG CORNER SECTIONS ON CLEAT IN APPROX FINAL LOCATION.
  3. SLIDE SECTION 1 OVER JOINING LINKS IN SECTION 2.
  4. SCREW #6 SCREWS THROUGH C'SUNK HOLES IN SECTION ONE INTO THREADED HOLES IN JOINING LINK.



TOP VIEW

ISOMETRIC VIEW

## 90 DEG INSIDE CORNER

TICKER LENGTH CALCULATION (TL):

$$TL = \text{SECTION 1} + \text{SECTION 2}$$

$$TL = ((X - 2.81)/12) + ((Y - 2.81)/12)$$

EXAMPLE: X = 112" & Y = 233"

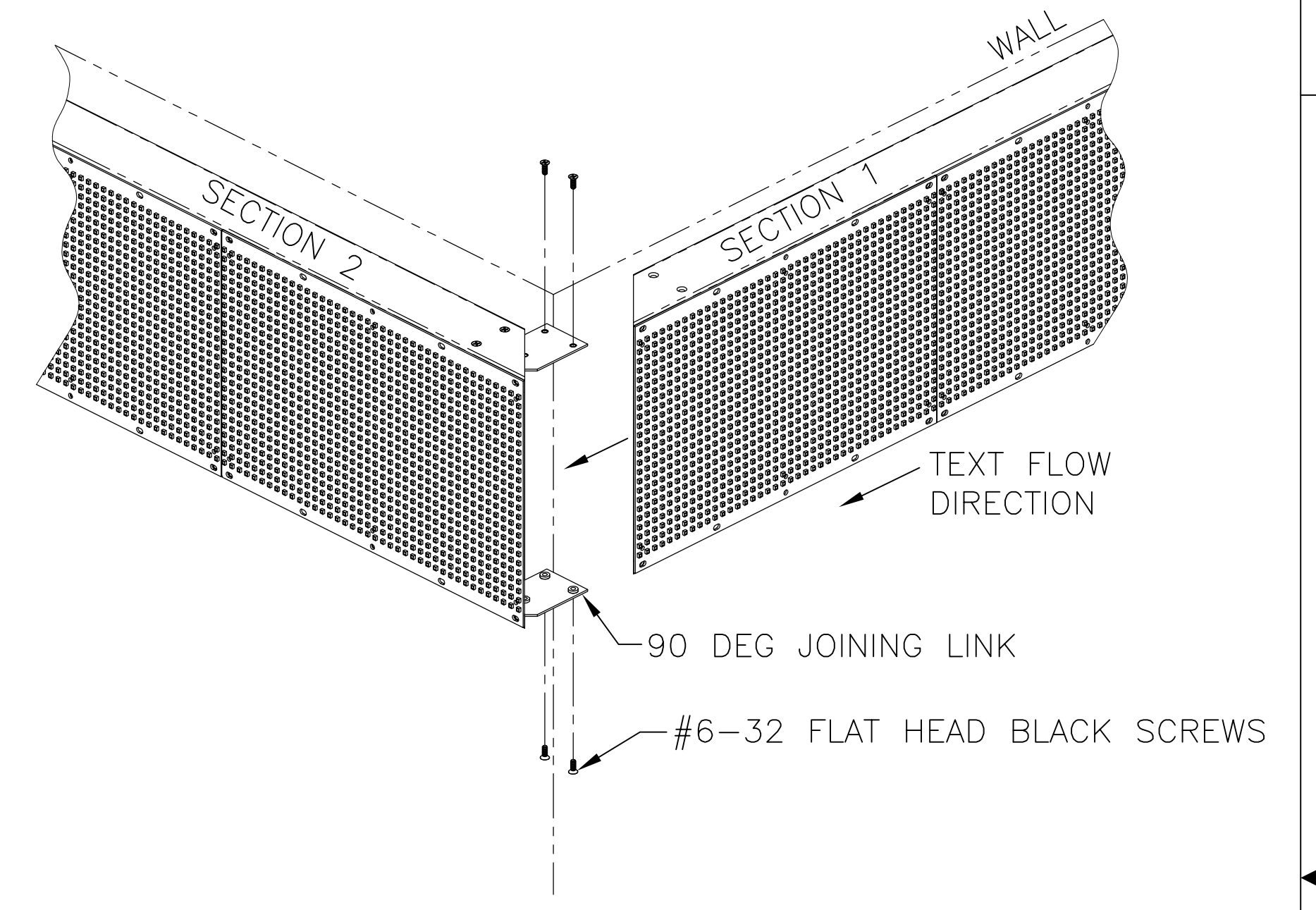
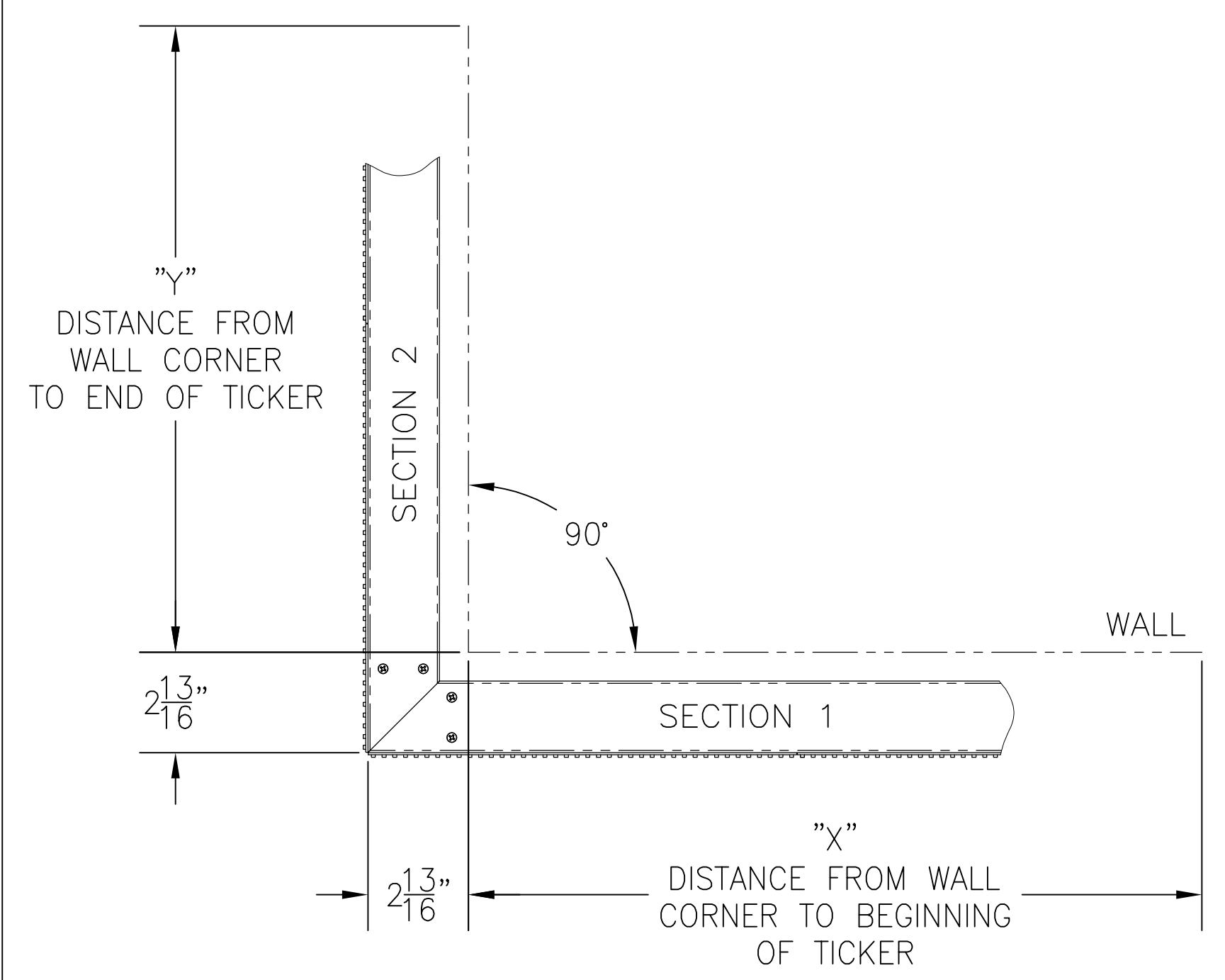
$$TL = ((112 - 2.81)/12) + ((233 - 2.81)/12)$$

$$TL = 9.09' + 19.18'$$

ROUND BOTH NUMBERS DOWN TO THE CLOSEST 1/4 OF A FOOT.

$$TL = 9' + 19'$$

$$TL = 28'$$



TOP VIEW

ISOMETRIC VIEW

## 90 DEG OUTSIDE CORNER

TICKER LENGTH CALCULATION (TL):

$$TL = \text{SECTION 1} + \text{SECTION 2}$$

$$TL = ((X + 2.81)/12) + ((Y + 2.81)/12)$$

EXAMPLE: X = 112" & Y = 233"

$$TL = ((112 + 2.81)/12) + ((233 + 2.81)/12)$$

$$TL = 9.56' + 19.65'$$

ROUND BOTH NUMBERS DOWN TO THE CLOSEST 1/4 OF A FOOT.

$$TL = 9.5' + 19.5'$$

$$TL = 29'$$

**SUBMITTAL APPROVAL**

APPROVED FOR CONSTRUCTION

APPROVED FOR CONSTRUCTION AS NOTED

APPROVED FOR CONSTRUCTION AS NOTED & RESUBMIT

COMPANY: \_\_\_\_\_ DATE: \_\_\_\_\_

SIGNED: \_\_\_\_\_ TITLE: \_\_\_\_\_

PROJECT  
RISE SHOP DRAWING

TITLE  
LED DISPLAY 90DEG CRNRS

SIZE	DRAWING NO.	REV
D	TKR-M10-XX-XX-CR	A

SCALE 1/8	DRAWN SJB	DATE 5/11/15
SHEET 1 OF 1	DRAWN -	DATE / /