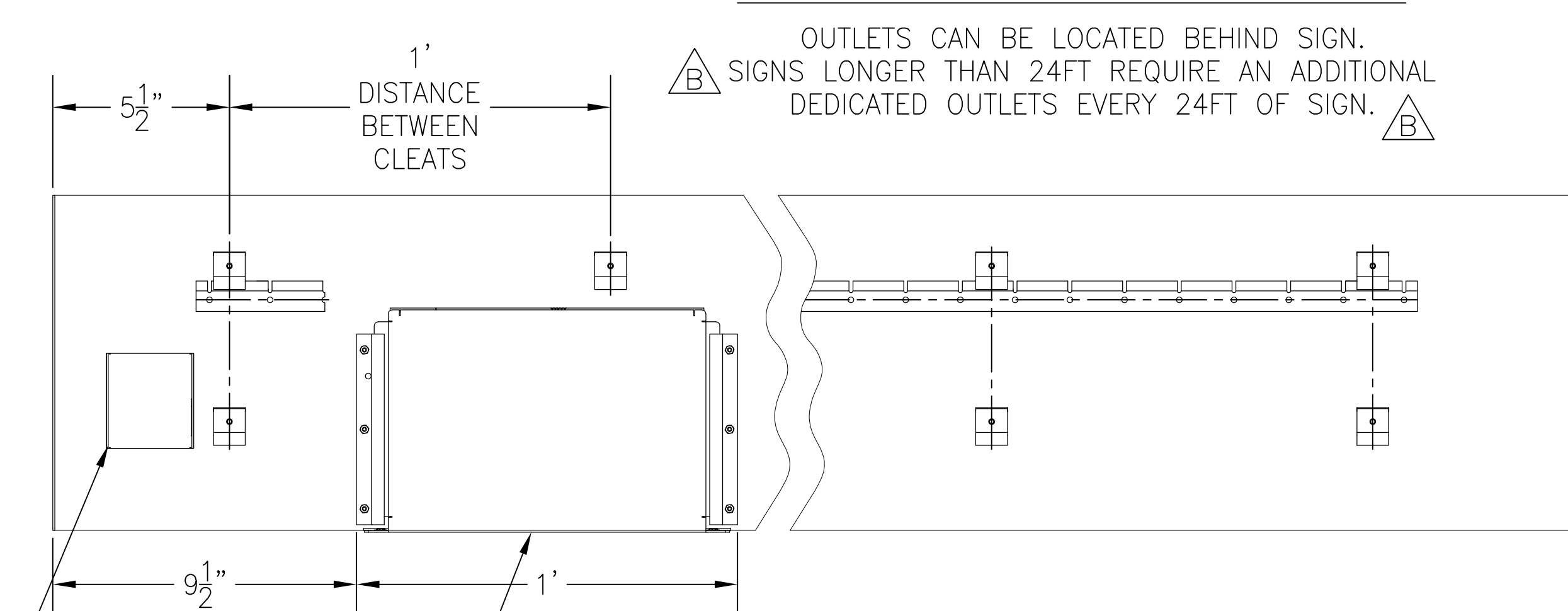
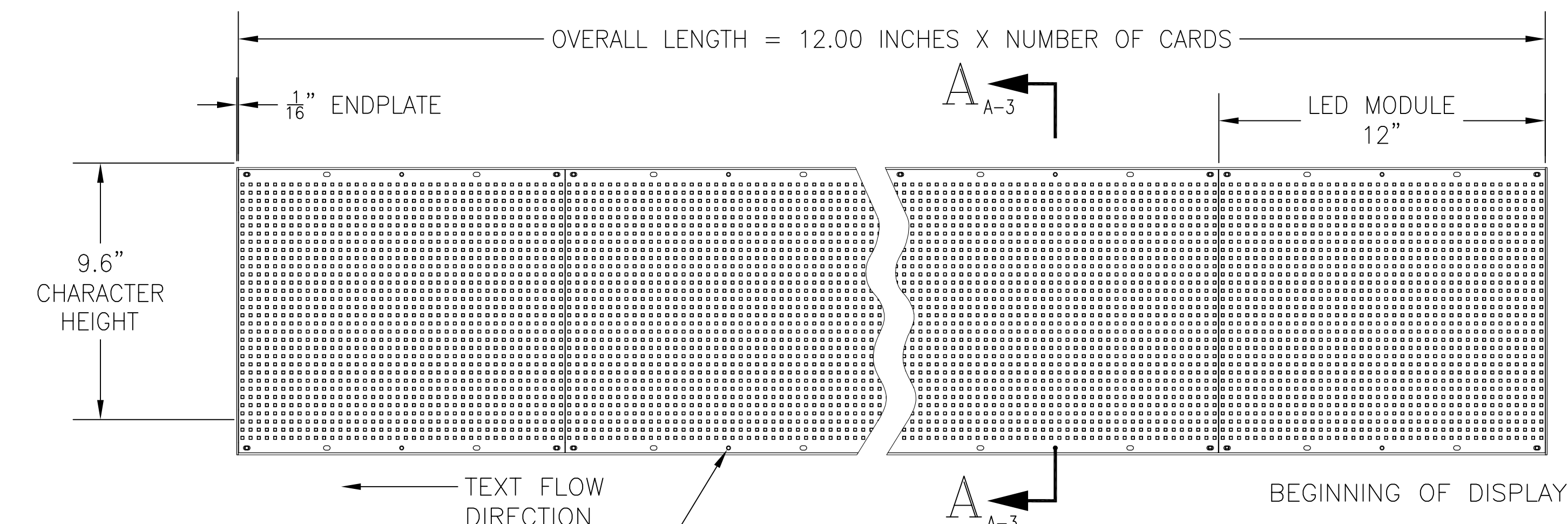
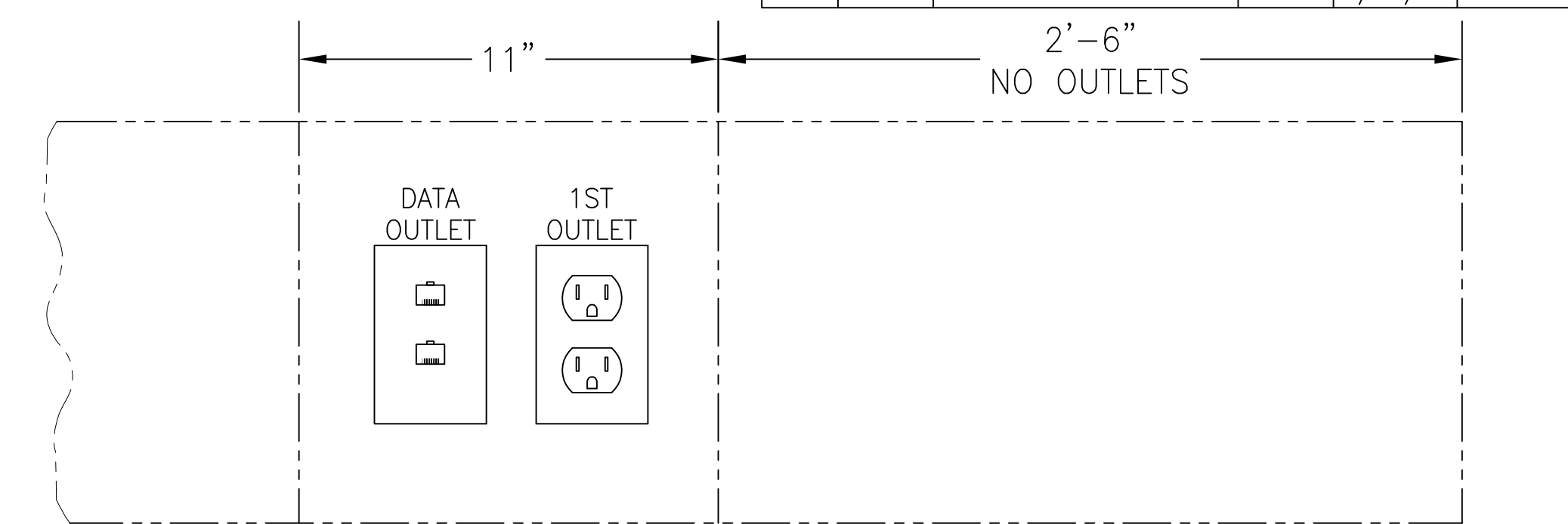
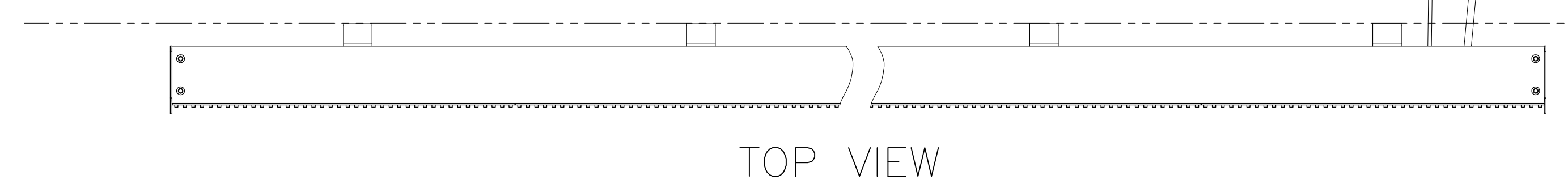


32H PIXEL 9.6-INCH CHARACTER RIGID CABINET LED DISPLAY

| REVISIONS | | | | | |
|-----------|-----|-----------------|-------|----------|----------|
| REV | ECO | DESCRIPTION | DRAFT | DATE | APPROVED |
| A | | INITIAL RELEASE | SJB | 2/8/15 | |
| B | | WAS 34FT | SJB | 6/9/15 | |
| C | | ADDED NOTE | SJB | 12/17/15 | |
| D | | REVISED NOTES | SJB | 3/28/16 | |

DATA ENTRY
6'-0" RJ45/CAT 5 CABLE

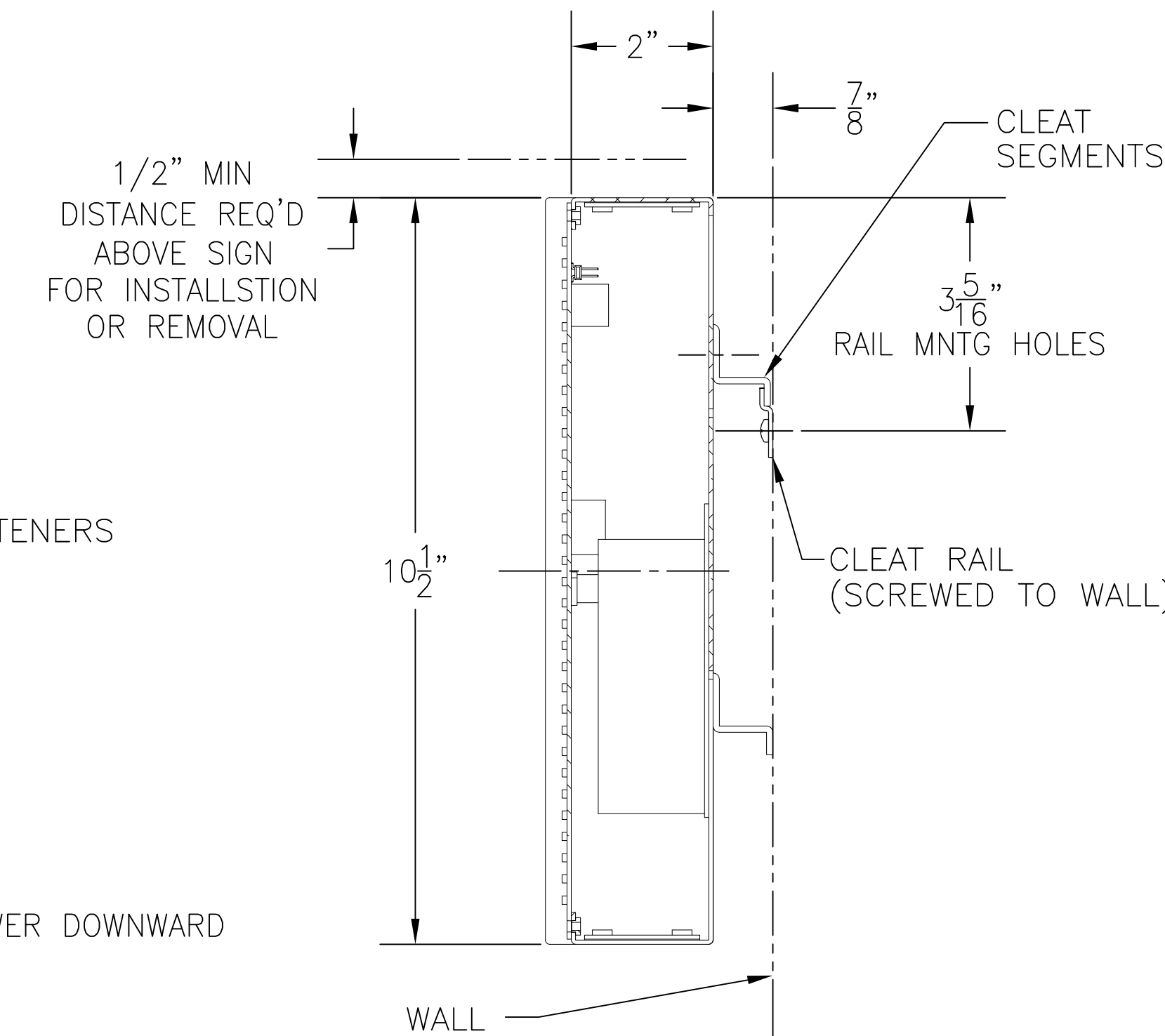
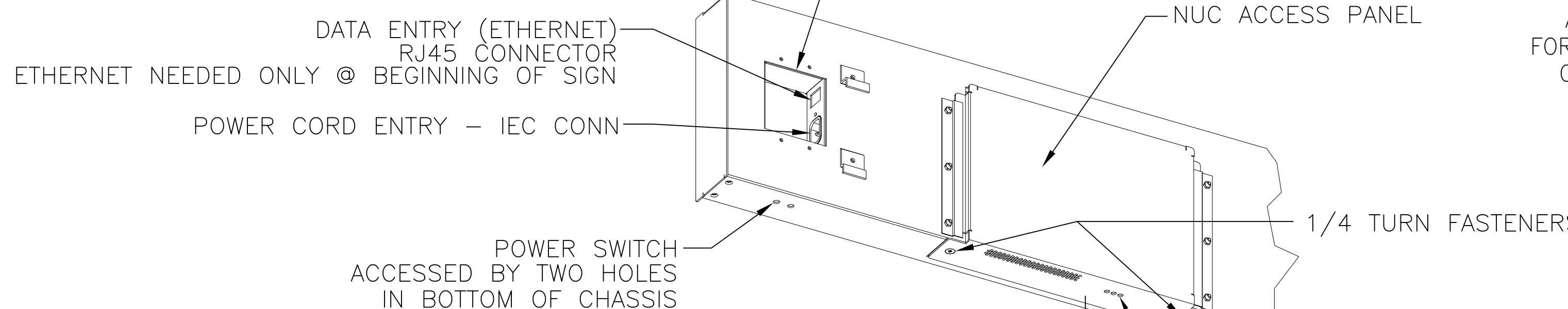
8'-0" LONG REMOVABLE 120VAC
RIGHT ANGLE POWER CORD
IEC-320, C13 X NEMA-5-15P



OUTLETS CAN BE LOCATED BEHIND SIGN.
SIGNS LONGER THAN 24FT REQUIRE AN ADDITIONAL
DEDICATED OUTLETS EVERY 24FT OF SIGN.

TO REMOVE LED MODULE
UNSCREW (6) #4-40 FLAT HEAD SCREWS
DO NOT LET MODULE HANG BY PATCH CABLES
AS THIS CAN CAUSE DAMAGE

DATA/POWER ACCESS ON RIGHT SIDE
WHEN FACING FRONT OF TICKER.
SEE POWER OUTLET LOCATION
ABOVE FOR MORE INFO.



SPECIFICATIONS:

- PIXEL PITCH: .3" (7.62mm)
- COLOR: RGB (FULL COLOR)
- CHARACTER HEIGHT: 9.6-INCHES (32H)
- ELECTRICAL REQUIREMENTS: 120VAC-220VAC/SINGLE PHASE MANUALLY SWITCHED
@ 120VAC INDOOR - 38 WATTS/FT
POWER INPUT: POWER CORD
- DATA: ETHERNET
- CHASSIS MAT'L & FINISH: ALUMINUM WITH BLACK POWDER COAT
- SIGN MOUNTING: CLEAT & RAIL METHOD
- WEIGHT: 5 LBS/FT

RISE DISPLAY

SUBMITTAL APPROVAL

APPROVED FOR CONSTRUCTION

APPROVED FOR CONSTRUCTION AS NOTED

APPROVED FOR CONSTRUCTION AS NOTED & RESUBMIT

COMPANY: _____ DATE: _____

SIGNED: _____ TITLE: _____

PROJECT
RISE SHOP DRAWING

TITLE
32H RGB RIGID LED DISPLAY

| | | |
|------|-----------------|-----|
| SIZE | DRAWING NO. | REV |
| D | TKR-M10-32-96-R | D |

| | | |
|--------|-------|---------|
| SCALE | DRAWN | DATE |
| 1/8 | SJB | 3/31/15 |
| SHEET | DRAWN | DATE |
| 1 OF 1 | - | / / |