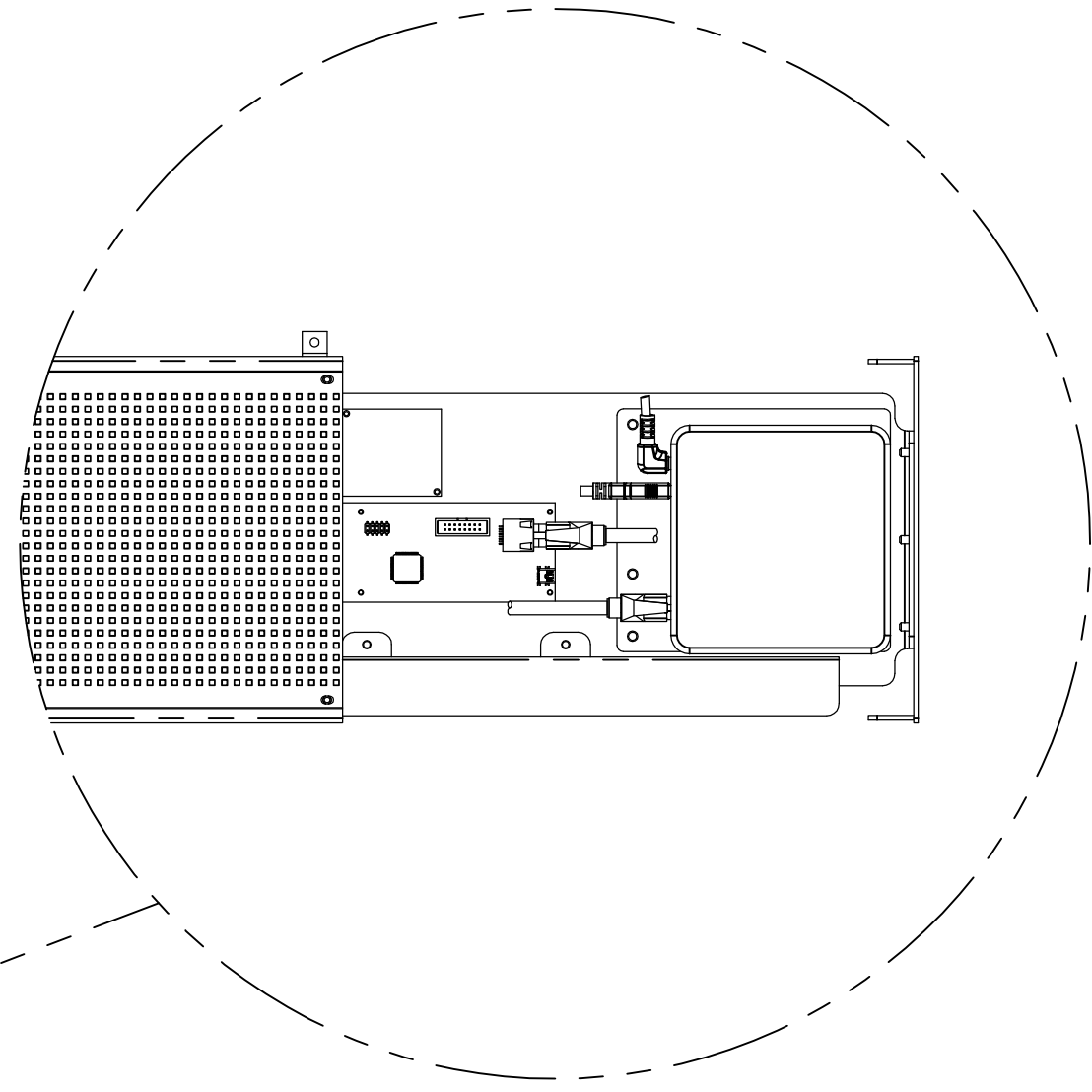
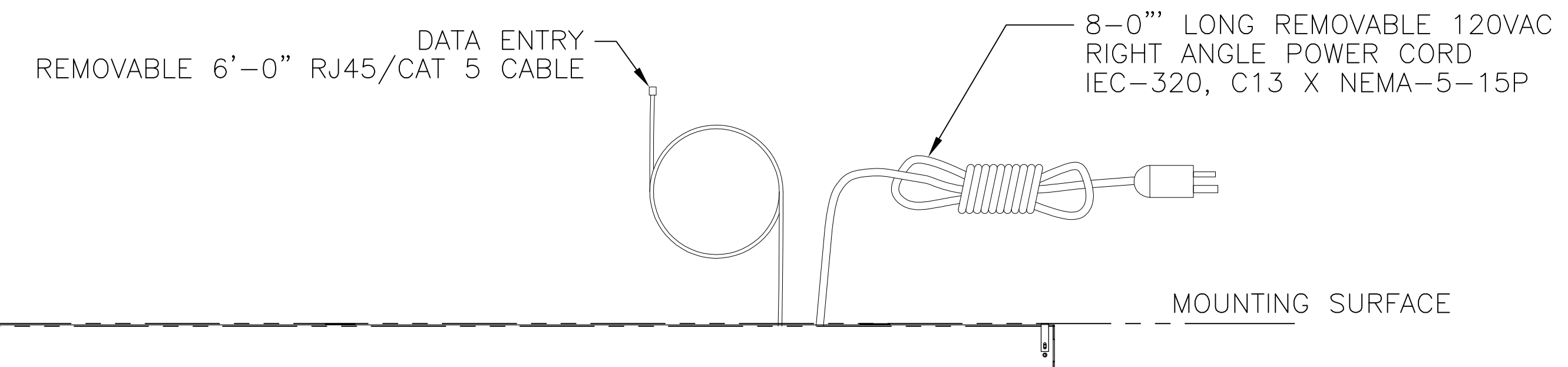


PROPRIETARY  
THIS DRAWING CONTAINS CONFIDENTIAL INFORMATION  
PROPRIETARY TO SUNRISE SYSTEMS INC. IT MUST NOT BE  
REPRODUCED OR DISCLOSED TO OTHERS OR USED IN ANY  
OTHER WAY, IN WHOLE OR IN PART EXCEPT AS AUTHORIZED  
IN WRITING BY SUNRISE SYSTEMS INC.

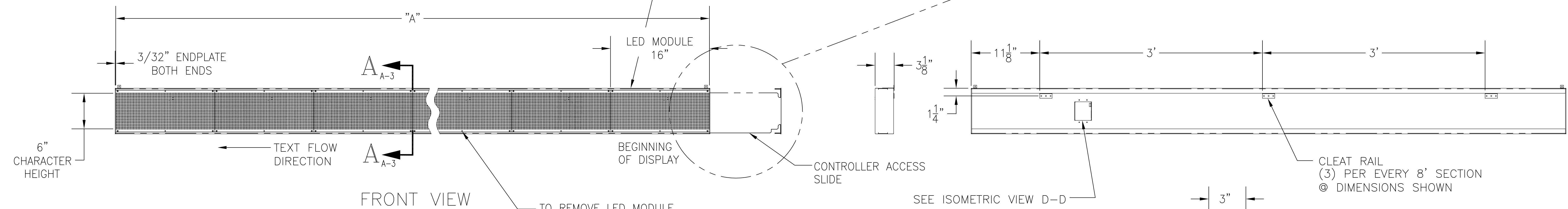
# 24H PIXEL 6-INCH CHARACTER RIGID CABINET LED DISPLAY

| REVISIONS |     |                 |       |         |          |
|-----------|-----|-----------------|-------|---------|----------|
| REV       | ECO | DESCRIPTION     | DRAFT | DATE    | APPROVED |
| A         |     | INITIAL RELEASE | SJB   | 1/8/16  |          |
| B         |     | REV'D TABLE     | SJB   | 9/26/17 |          |
| C         |     | REV'D TABLE     | SJB   | 9/27/17 |          |



TOP VIEW

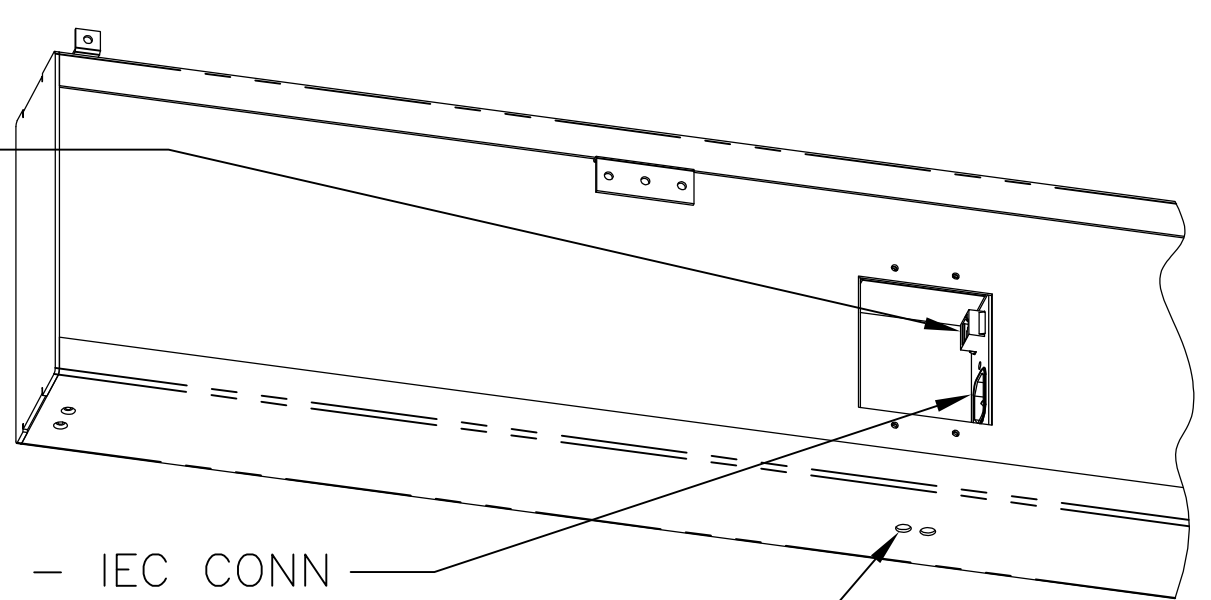
**POWER OUTLET SHOULD BE AT RIGHT END/BEGINNING OF TICKER WHEN LOOKING FROM THE FRONT**



FRONT VIEW

TO REMOVE LED MODULE  
UNSCREW (6) #4-40 FLAT HEAD SCREWS  
DO NOT LET MODULE HANG BY PATCH CABLES  
AS THIS CAN CAUSE DAMAGE

DATA ENTRY (ETHERNET)  
RJ45 CONNECTOR  
ETHERNET NEEDED ONLY @ BEGINNING OF SIGN



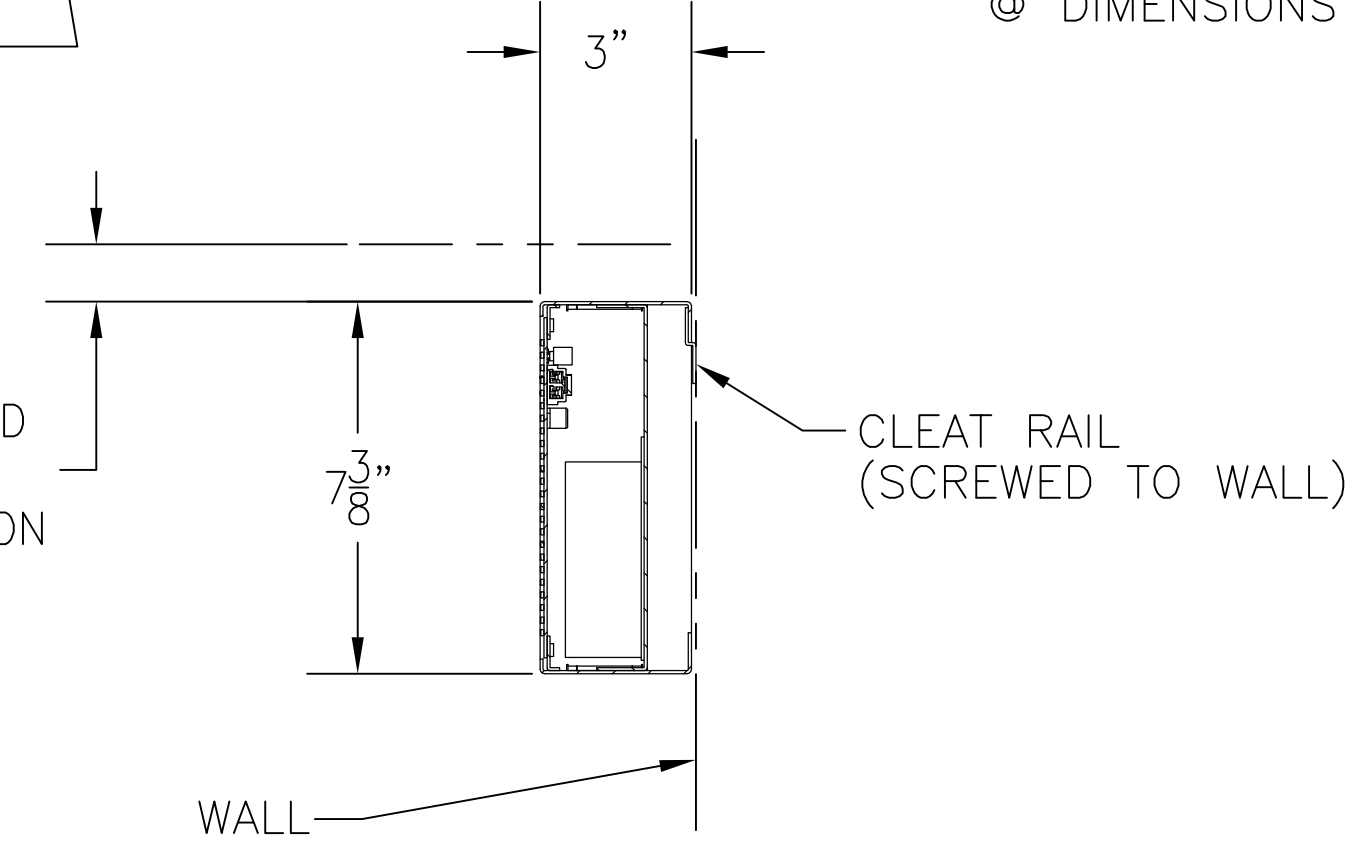
POWER CORD ENTRY - IEC CONN  
POWER SWITCH  
ACCESSED BY TWO HOLES  
IN BOTTOM OF CHASSIS

ISOMETRIC D-D ZONE C-3

TYP  
ETHERNET NEEDED ONLY @ BEGINNING OF SIGN

| TICKER LENGTH |         |
|---------------|---------|
| MODEL#        | DIM "A" |
| TKRM2408R     | 8'-0"   |
| TKRM2416R     | 16'-0"  |
| TKRM2424R     | 24'-0"  |
| TKRM2432R     | 32'-0"  |
| TKRM2440R     | 40'-0"  |
| TKRM2448R     | 48'-0"  |
| TKRM2456R     | 56'-0"  |
| TKRM2464R     | 64'-0"  |
| TKRM2472R*    | 72'-0"  |
| TKRM2480R*    | 80'-0"  |
| TKRM2488R*    | 88'-0"  |
| TKRM2496R*    | 96'-0"  |

\*TICKER REQUIRES (2) POWER DROPS. THE FIRST AT THE RIGHT END OF THE TICKER AND THE SECOND 64' FROM THE FIRST.



SECTION A-A ZONE C-6  
CROSS SECTION TYP

**SPECIFICATIONS:**

- PIXEL PITCH: .25" (6.35mm)
- COLOR: RGB (FULL COLOR)
- CHARACTER HEIGHT: 6-INCHES (24H)
- ELECTRICAL REQUIREMENTS: 120VAC-220VAC/SINGLE PHASE MANUALLY SWITCHED @ 120VAC INDOOR - 16 WATTS/FT  
POWER INPUT: POWER CORD
- DATA: ETHERNET
- CHASSIS MAT'L & FINISH: ALUMINUM WITH BLACK POWDER COAT
- SIGN MOUNTING: CLEAT & RAIL METHOD
- WEIGHT: 3 LBS/FT

**SUNRISE SYSTEMS, Inc.**  
PEMBROKE, MA 02359

SUBMITTAL APPROVAL

APPROVED FOR CONSTRUCTION  
 APPROVED FOR CONSTRUCTION AS NOTED  
 APPROVED FOR CONSTRUCTION AS NOTED & RESUBMIT

COMPANY: \_\_\_\_\_ DATE: \_\_\_\_\_  
SIGNED: \_\_\_\_\_ TITLE: \_\_\_\_\_

PROJECT  
**RISE SHOP DRAWING**

TITLE  
**24H 8-COLOR LED DISPLAY**

|      |                |     |
|------|----------------|-----|
| SIZE | DRAWING NO.    | REV |
| D    | TKR-M24-6-XX-R | C   |

|       |        |       |     |      |        |
|-------|--------|-------|-----|------|--------|
| SCALE | 1/8    | DRAWN | SJB | DATE | 1/9/16 |
| SHEET | 1 OF 1 | DRAWN | -   | DATE | / /    |