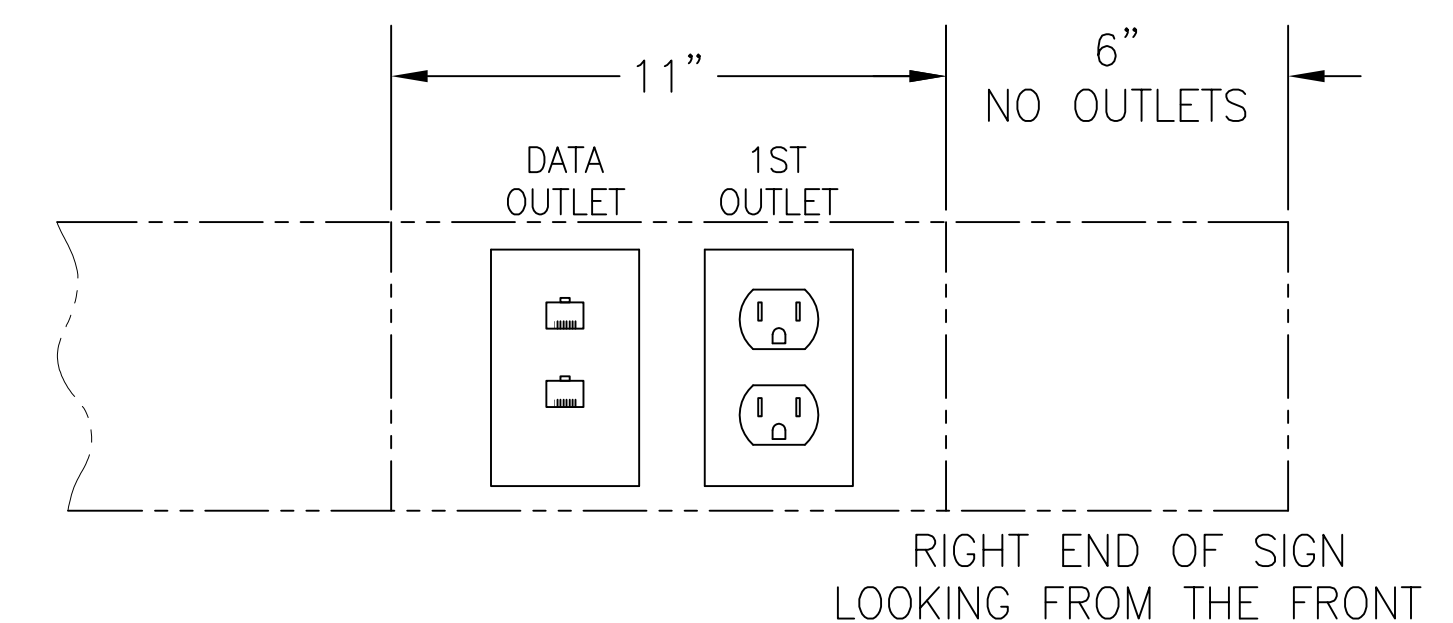


PROPRIETARY
THIS DRAWING CONTAINS CONFIDENTIAL INFORMATION
PROPRIETARY TO SUNRISE SYSTEMS INC. IT MUST NOT BE
REPRODUCED OR DISCLOSED TO OTHERS OR USED IN ANY
OTHER WAY, IN WHOLE OR IN PART EXCEPT AS AUTHORIZED
IN WRITING BY SUNRISE SYSTEMS INC.

16H PIXEL 4.8-INCH CHARACTER RIGID CABINET LED DISPLAY

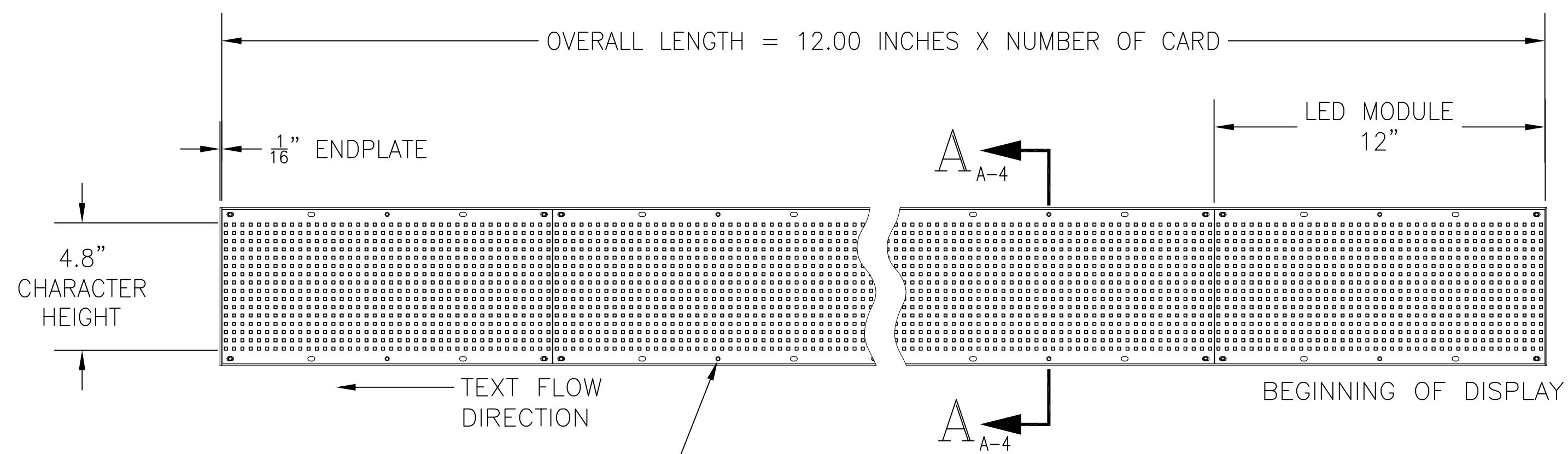
REVISIONS					
REV	ECO	DESCRIPTION	DRAFT	DATE	APPROVED
A		INITIAL RELEASE	SJB	4/1/15	
B		WAS 34FT	SJB	6/8/15	
C		ADDED NOTE	SJB	12/17/15	
D		REVISED NOTES	SJB	3/28/16	

REMOVABLE 6'-0" RJ45/CAT 5 CABLE
DATA ENTRY
8-0" LONG REMOVABLE 120VAC
RIGHT ANGLE POWER CORD
IEC-320, C13 X NEMA-5-15P



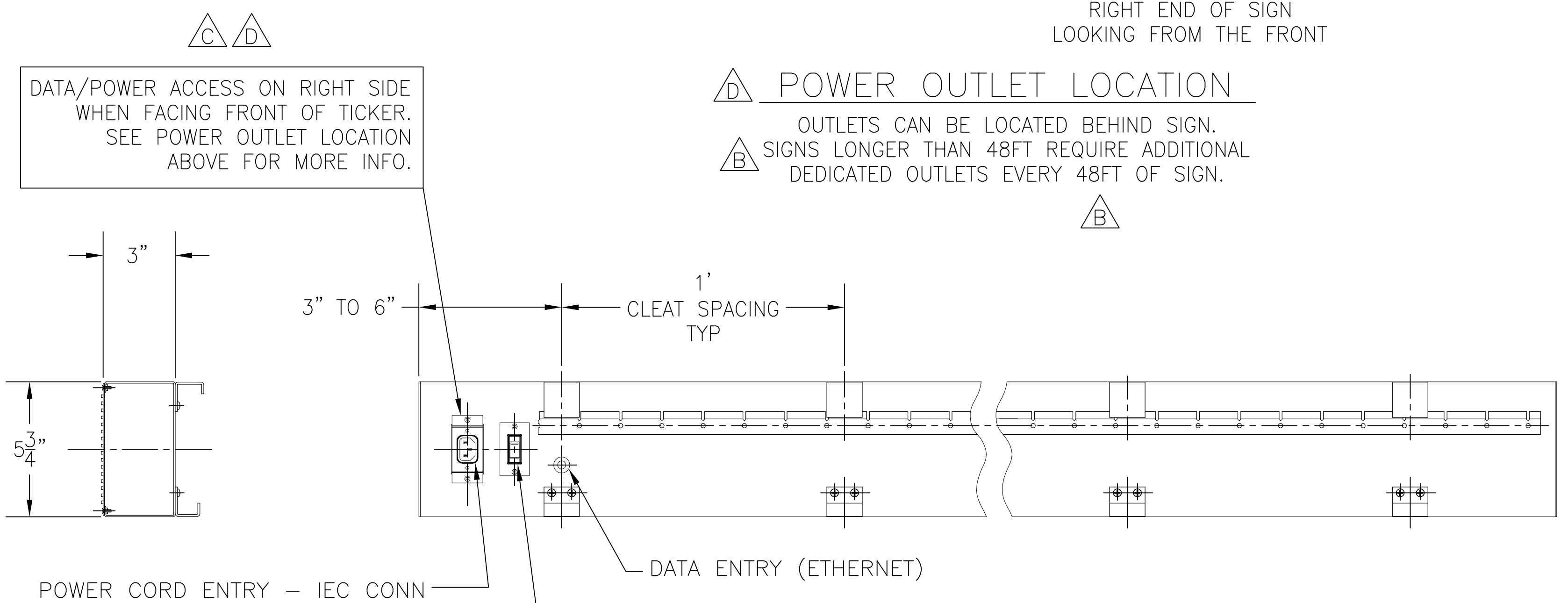
RIGHT END OF SIGN
LOOKING FROM THE FRONT

TOP VIEW

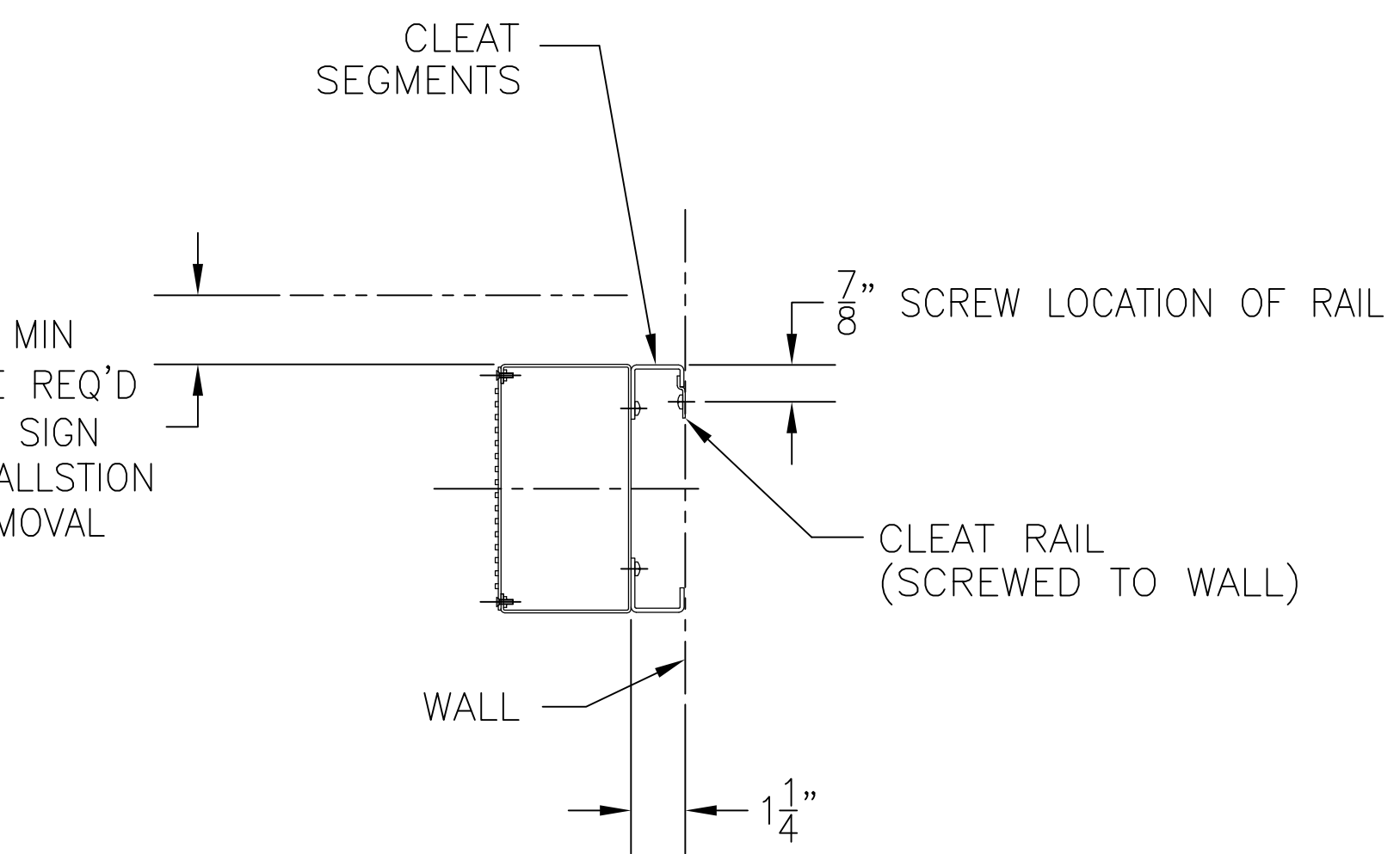


FRONT VIEW

TO REMOVE LED MODULE
UNSCREW (6) #4-40 FLAT HEAD SCREWS
DO NOT LET MODULE HANG BY PATCH CABLES
AS THIS CAN CAUSE DAMAGE



REAR VIEW



SECTION A-A c-6
CROSS SECTION
TYP

SPECIFICATIONS:

- PIXEL PITCH: .3" (7.62mm)
- COLOR: RGB (FULL COLOR)
- CHARACTER HEIGHT: 4.8-INCHES (16H)
- ELECTRICAL REQUIREMENTS: 120VAC-220VAC/SINGLE PHASE MANUALLY SWITCHED
@ 120VAC INDOOR - 20 WATTS/FT
POWER INPUT: POWER CORD
- DATA: ETHERNET
- CHASSIS MAT'L & FINISH: ALUMINUM WITH BLACK POWDER COAT
- SIGN MOUNTING: CLEAT & RAIL METHOD
- WEIGHT: 3.5 LBS/FT

POWER OUTLET LOCATION

OUTLETS CAN BE LOCATED BEHIND SIGN.
SIGNS LONGER THAN 48FT REQUIRE ADDITIONAL
DEDICATED OUTLETS EVERY 48FT OF SIGN.

SUNRISE SYSTEMS, Inc.
PEMBROKE, MA 02359

SUBMITTAL APPROVAL

APPROVED FOR CONSTRUCTION
 APPROVED FOR CONSTRUCTION AS NOTED
 APPROVED FOR CONSTRUCTION AS NOTED & RESUBMIT

COMPANY: _____ DATE: _____
SIGNED: _____ TITLE: _____

PROJECT
RISE SHOP DRAWING

TITLE
16H RGB RIGID LED DISPLAY

SIZE	DRAWING NO.	REV
D	TKR-M10-16-48-R	D

SCALE	1/8	DRAWN	SJB	DATE	3/31/15
SHEET	1 OF 1	DRAWN	-	DATE	/ /