

## General Comments:

The cabinet of a flex ticker looks exactly like what is shown in image 2.0. There are tabs that hold the 'ribs' together. All tabs are intact on shipment and holds the cabinet rigid.

The tabs are easily broken with a good pair of tin snips. Clipping out the tabs allows the ticker cabinet to flex or bend along the curve of a surface.

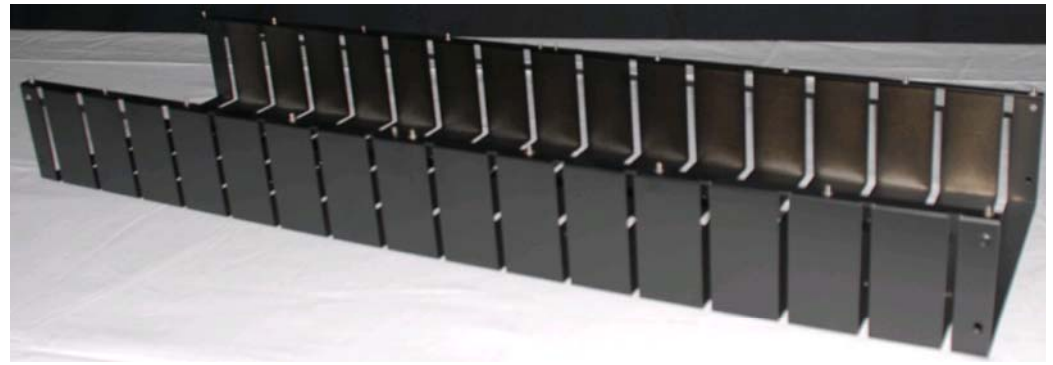


Image 2.0

## Power:

One outlet will power 20' of Full Color LED Ticker and 30' of Tri Color LED Ticker. If your ticker is greater than 20' you will notice the section starting at 21' will have another power cord. The client should have an outlet at approximately the same location as the ticker's power cord.

There is a power switch on the back of each powered section (Image 2.1) that can be used to turn the that 20' of ticker off.

Never remove any internal components without first turning the ticker off.

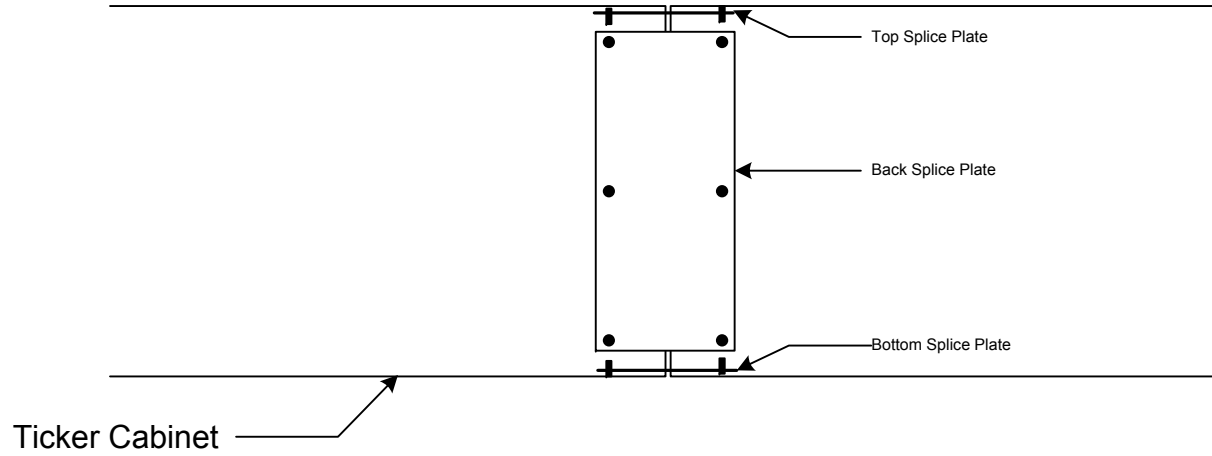


Image 2.1

## Splice Plates

Where two ticker sections meet is the joint. To secure the two sections together, you will use the included splice plates internal to the sign. A large plate on the back and two smaller plates on the top and bottom – image 3.0.

Image 3.0



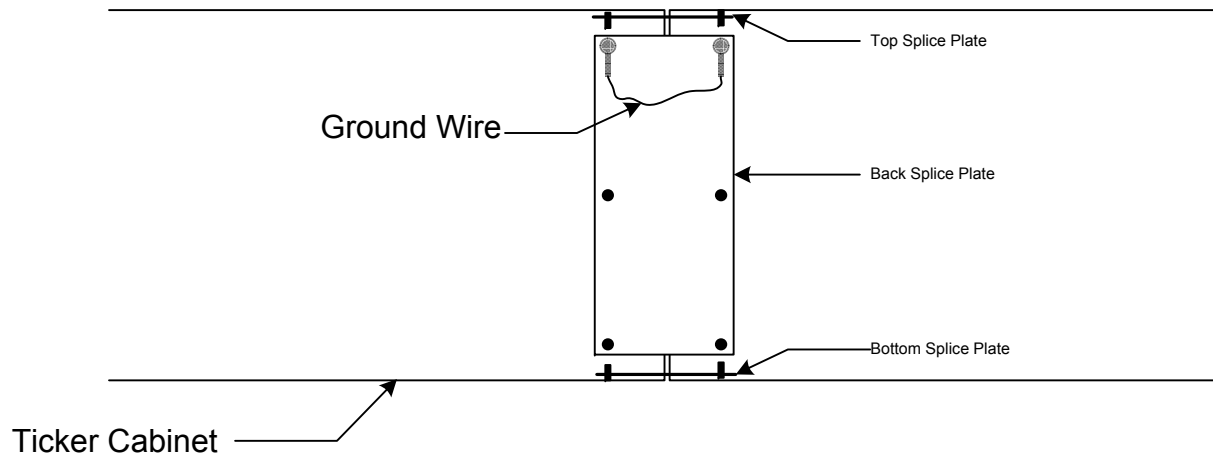
## Internal Wiring:

- Ground
- Data (or Content)
- Power

## Ground Wire:

At the end of each section there will be a Green/Yellow cable used as a ground. Take the loose end and connect it underneath one of the nuts used to secure the splice plates of the next section.

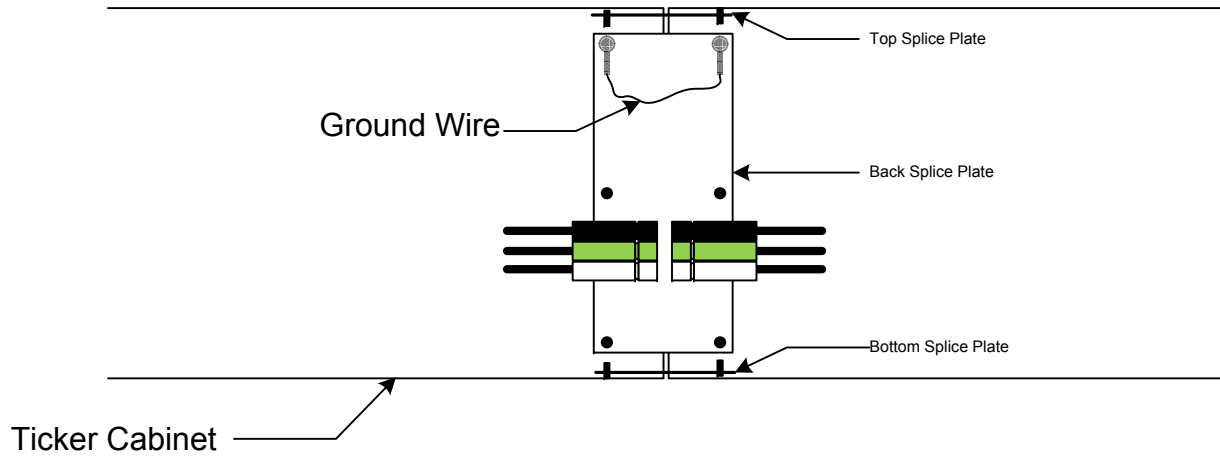
Image 3.0



## Internal Power:

At the end & beginning of each ticker section, there will be a Black/Green/White power adapter except at the beginning of a Master section or a section that has a power cord. These are connect so sections down the line from a powered section can get power.

Image 3.0

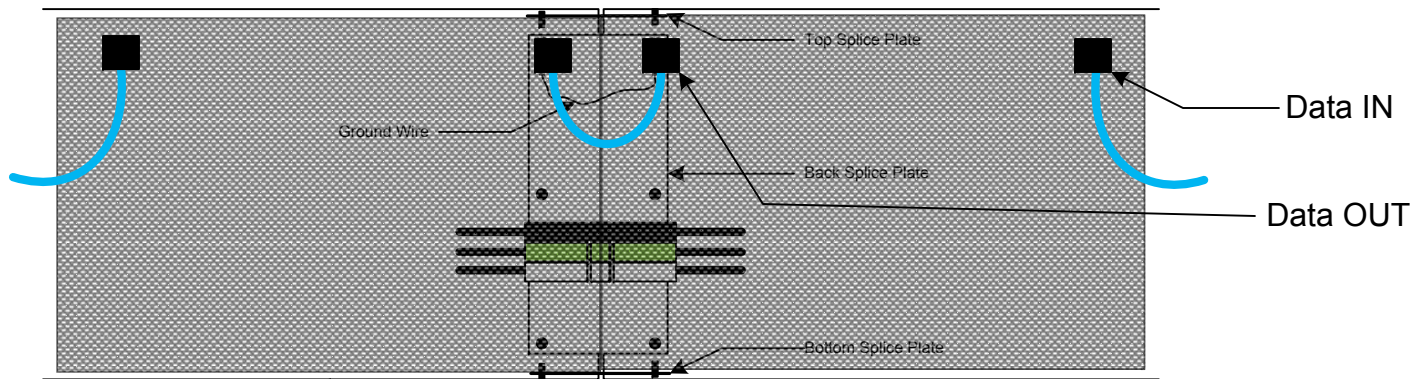


## Internal Power:

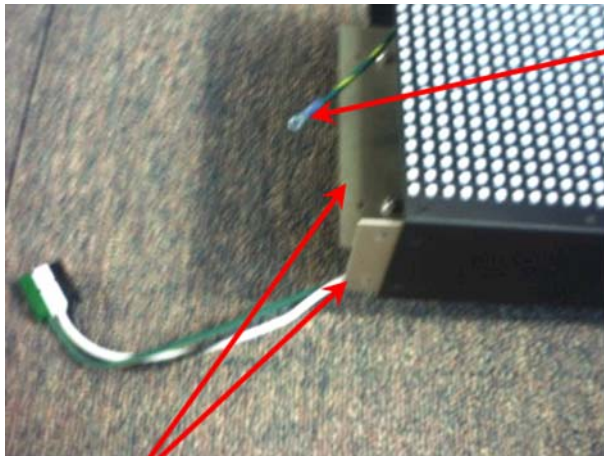
### Connecting Data:

The data (or content) that scrolls across the ticker comes from the controller. On the back of each LED Module there is an RJ45 Port. One is for Data IN, one for Data Out. At each Joint, plug the Blue CAT5 cable from the last Module into the Input on the first LED Module of the next section.

Image 3.0



Ticker Cabinet



Grounding Wire

Splice plates

Image 5.1

## Site Survey – Mockup

### Parts Needed

- One LED Ticker Section
- One Zee Bracket

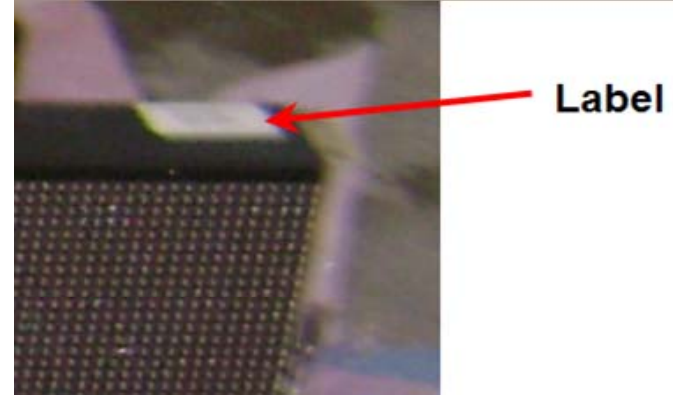
### Notes:

Before beginning any work, perform a site survey with the client to make sure you fully understand how they expect the display to be installed. Is it centered between any objects? How high from the floor should the bottom of the displays be? Part of this answer will be dictated by where the client has installed the outlets, but still confirm to make sure expectations are set up front.

**IMPORTANT:** be careful when handling the Tickers. The LED's are fragile and can be damaged if too much pressure is exerted on them.

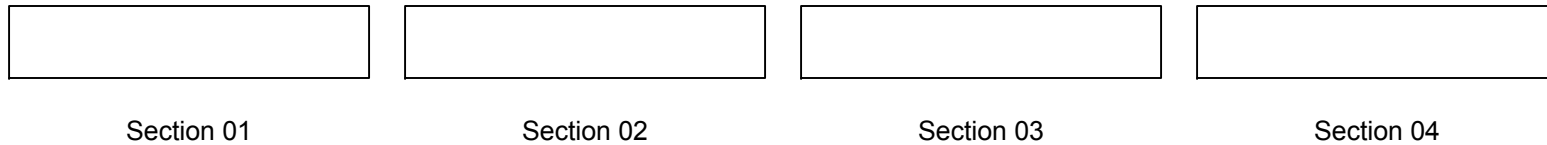
The first step to install the ticker is to un box all the ticker sections. There be labels on the top of each cabinet section that indicate the order in which the should be installed. If you were looking at the ticker, the cabinet labled 01 will be the section last section on the left. Top indicates that is the top of the cabinet - see image 1.0.

Align all the ticker sections in the order they will be installed according to the labels. Once complete confirm the correct footage of ticker was delivered per the inventory checklist and no ticker sections are missing.



**Image 1.0**

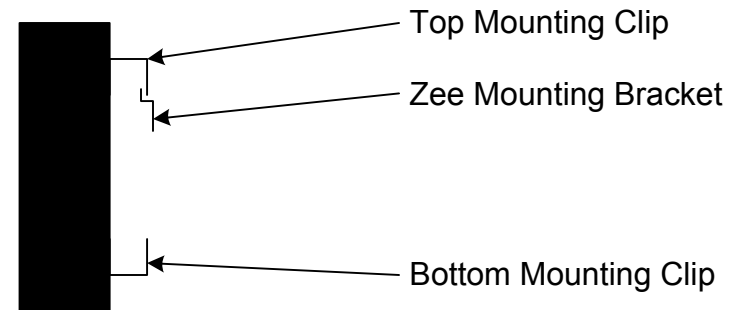
In the example below, there are 4 sections. The section on the left is 01 and increment up as you move to the right.



Section 04 (or the right most section), is also referred to as the Master section. It contains the controller that will run the sign. This section can also be identified by the CAT5 cable coming out of the back.

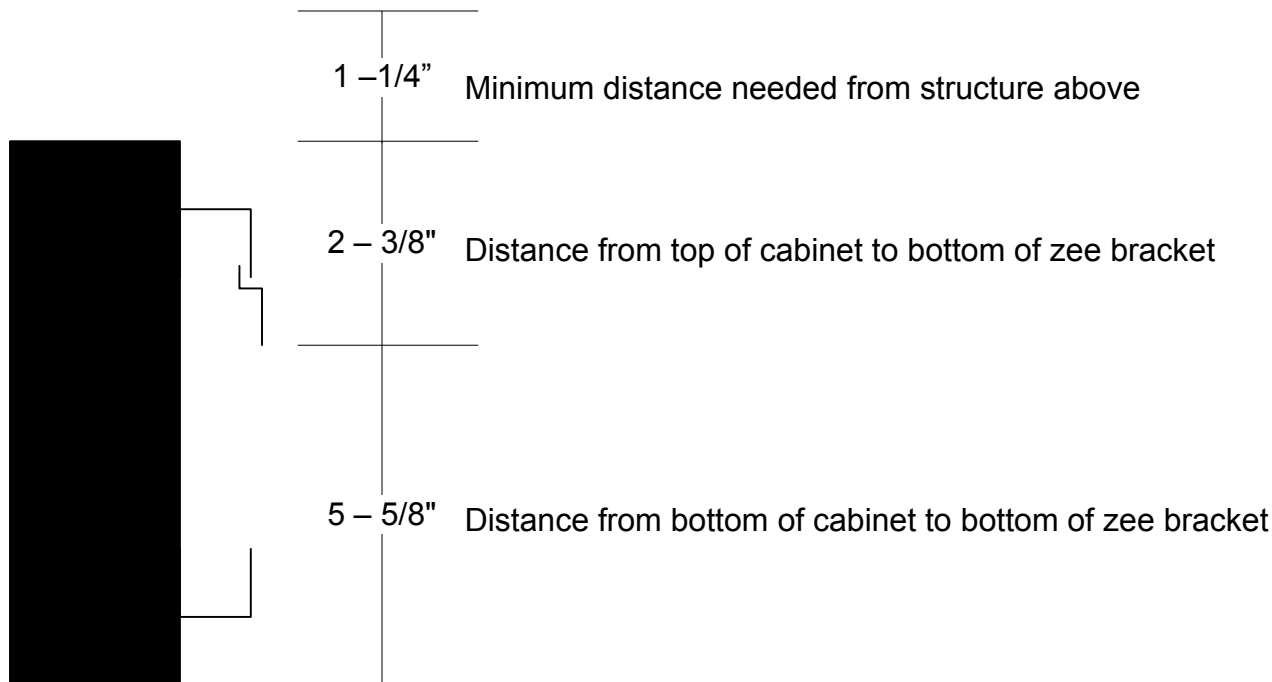
## Install Zee Bracket

The ticker is mounted to the wall using a zee mounting bracket. The Zee bracket is mounted to the wall, then each ticker section is hung using the top clips. The bottom clips act as a spacer to create equal distance off of the wall. DO NOT under any circumstance remove the bottom bracket.



The distance from the bottom of the cabinet to the bottom of the zee bracket is  $5 - 5/8"$ . From the top of the cabinet to the bottom of the zee bracket is  $1 - 15/16"$ . Use the measurement that is closest to the object you will be measuring from.

If the ticker is going to be installed 'as close to' the ceiling as possible, add  $1 - 1/4"$  to your measurement to allow room for the ticker to be lifted up and over the bracket. Use the appropriate measurement, add it to the distance the clients wants the ticker installed from any given structure (floor, ceiling, etc). This number will be the distance you use to mount the bottom of the zee bracket.



## Install Zee Bracket

The Tickers are extremely light, 4.2 lbs per ft. The zee mounting bracket mounting holes are 1 –3/4" on center and each has a diameter of 3/16". Self tapping drywall screws can be used for metal studs, which is the most common. Lag's can be used if wood studs are present or if the wall is reinforced with plywood.

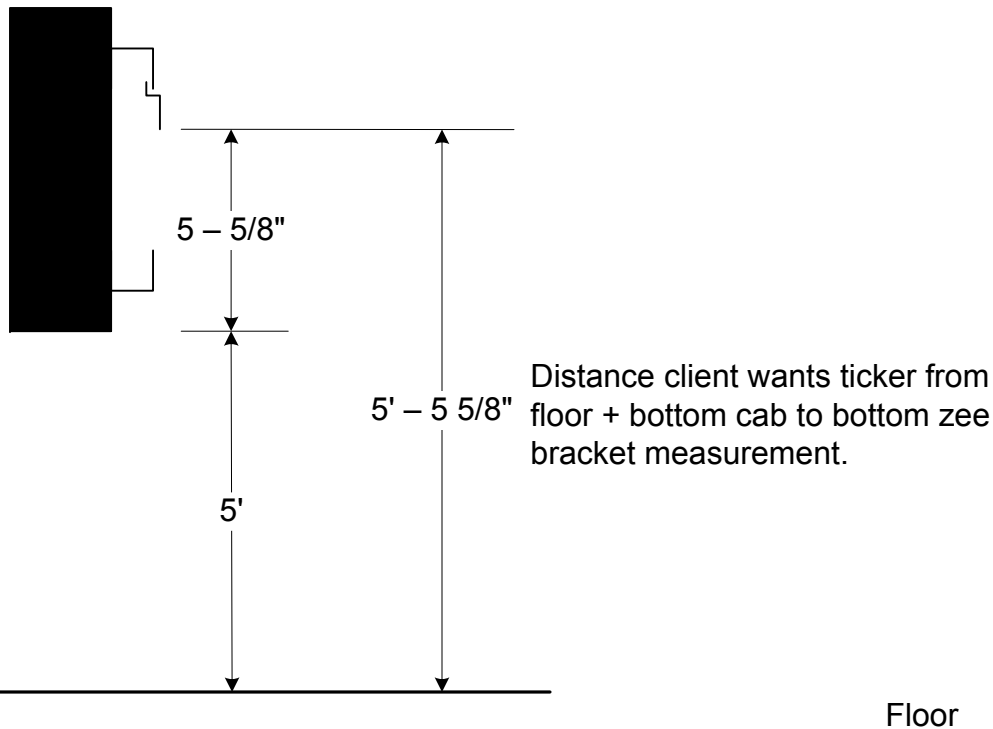
If the mounting holes do not align with the studs, make your own hole in the zee bracket using the self tapping drywall screws.

Two options for mounting the ticker:

As an example, let's say the client wanted the bottom of the ticker mounted 5' off the ground. I would want the bottom of the zee bracket installed 5' – 5.625" from the ground all the way across.

Option 1: Snap a chalk line that is 2.5" less on each end the length of the ticker.

Option 2: If you are relatively close to the object you will be measuring from (16" or less), use a framing square to measure down each point you will mount the zee bracket to the wall. If this is possible, it is recommended.

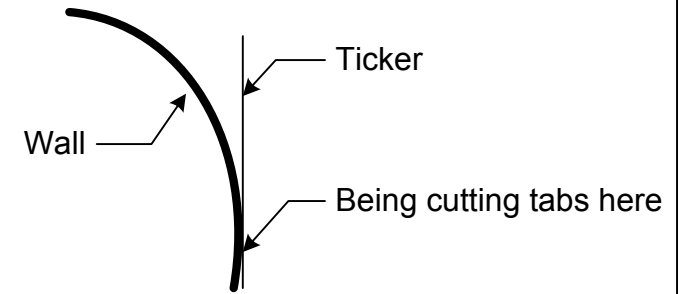


## Installing Ticker on Zee Brackets

Once all the zee brackets are up begin installing the ticker starting with the master section. Hang the right most section on the zee bracket. Where the ticker starts to veer away from the wall is where you will need to start cutting the tabs to allow that particular area to follow the curve of the wall.

**NOTE:** if the radius is tight, you may want to remove every other LED Module prior to installing to allow easy access to the tabs.

Continue this process until all ticker sections have been installed. Keep in mind the more tabs you remove the less rigidity the ticker cabinet will have, making it more difficult to handle. A good rule of thumb is if you have to force the ticker so that the clip can hang on the zee bracket means more tabs need to be cut. You should not have to force the cabinet to reach the zee bracket.



Tabs to cut to allow ticker to flex to follow the curve of a wall.

**Image 4.0**

## FAQ:

### Q: Where is the ticker trying to go:

A: ticker.risedisplaynetwork.com, 72.32.37.84

### Q: What port(s) is the ticker sending data on:

A: All network traffic is done on port 80

### Q: What direction is the network traffic?

A: The traffic goes both ways (inbound & outbound).

### Q: What is the MAC Address of the ticker?

A: Power cycle the ticker. The ticker should display boot up information. Which will include the MAC address. Typically begins with 00:09:EC. If you do not see boot up information, call your Rise Display contact to get this information.

### Q: What if the ticker reads 'Loading 0%' over and over?

A: It means the ticker is not getting to ticker.risedisplaynetwork.com to download it's content. Could be many things, but check the following:

- Network cable is plugged into the network
- Ticker is pulling an IP address (may have to get client IT staff to help)
- Does the client have to allow the ticker on the network?

We can perform test to ensure it is not a hardware related problem to the ticker. The first step will involve you plugging the network cable from the ticker into your laptop. Then with your Wireless adaptor connect to a wireless network. Ensure you can get to the internet over the wireless. You will need to go to **pm.risedisplay.com**, then call your Rise Display contact to walk you through the rest.