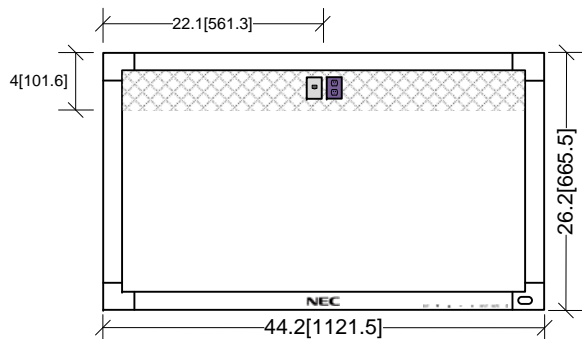
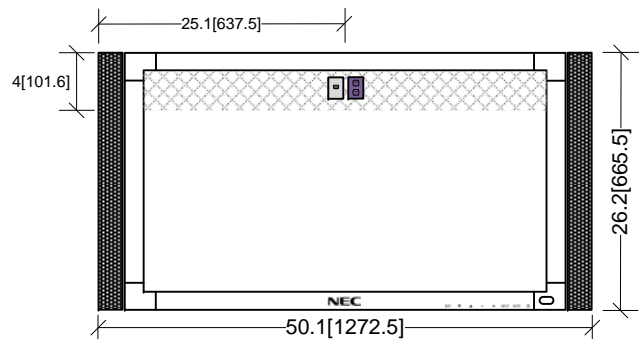


### Front View

#### No Speakers



#### With Optional Speakers

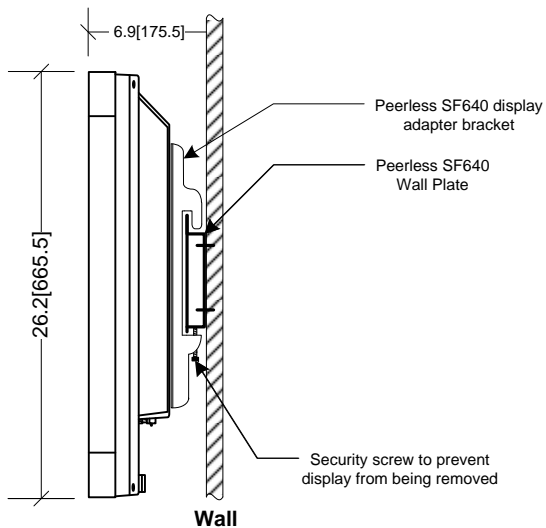


Duplex outlet (provided by others)

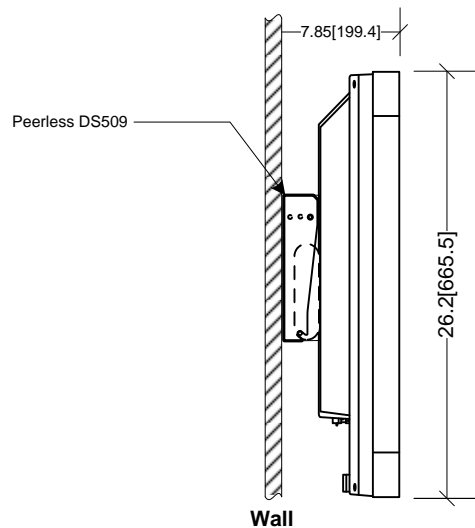
<sup>1</sup>One (1) shielded CAT5 (provided by others) – refer to “VGA to CAT5 Broadcast System.pdf”  
<sup>2</sup>One (1) RJ45 (provided by others) for network communication

### Side View

#### <sup>1</sup>Low Profile Flat Wall Mount



#### <sup>2</sup>Flat Wall Mount with Mini Engine



All dimensions shown in Inches[mm]

### LCD Display (specifications are per display)

- Weight 53 lbs
- Dimensions 44.2[1122.7](w) x 26.2[665.5](h) x 5.1[130](d)
- W/ optional speakers 50.1[1272.5](w) x 26.2[665.5](h) x 5.1[130](d)
- Power 2.4 – 1.0 A @ 100-240VAC, 50/60Hz
- Resolution 1920x1080 (native)
- Contrast Ratio 3000:1
- Operating Temp 5° to 40° C
- Brightness 450 cd/m<sup>2</sup> (typ)

### Wall Mount (specifications are per mount)

- <sup>1</sup>Peerless SF660 – one required per display
  - Maximum Load Capacity 200 lbs
  - Dimensions 34.12[867](w) x 9.15[232](h) x 1.8[45.7] (d)
  - Weight 7 lbs
- <sup>2</sup>Peerless DS509 – one required per display
  - Maximum Load Capacity 200 lbs
  - Dimensions 18.27[464](w) x 10.27[261](h) x 2.75[70] (d)
  - Weight 13 lbs

### Optional Accessories

- LCD display alarm (one per display)
- 7 outlet surge suppressor.
- Side mountable speakers
- 3M DST Touch, for Interactive content

### Provided by Others (NOT the responsibility of Rise Display)

- Confirm supporting structure can support the weight of the displays
- Install high and low voltage per drawing
- If applicable, ensure displays, when installed conform to the American Disabilities Act (ADA)
- If applicable, ensure displays, when installed conform to any building codes, city or state regulations
- 4[101.6] minimum gap around displays required if displays are recessed
- .75[19.1] minimum distance required between top of display and ceiling

By signing below you are acknowledging that you have reviewed all the information enclosed and agree that it is accurate. Lead time will not start until approved drawings have been received.

<b>Rise Display</b>		<b>Shawnee, KS 66227</b>
Drawing:	NEC4615	Project:

Name: \_\_\_\_\_

Date: \_\_\_\_\_ Company: \_\_\_\_\_

Signature: \_\_\_\_\_